

EE575 Series

HVAC Miniature Air Velocity Transmitter

The EE575 is a compact air velocity transmitter designed for high volume applications. Due to the small design, the module can be fitted to nearly every application.

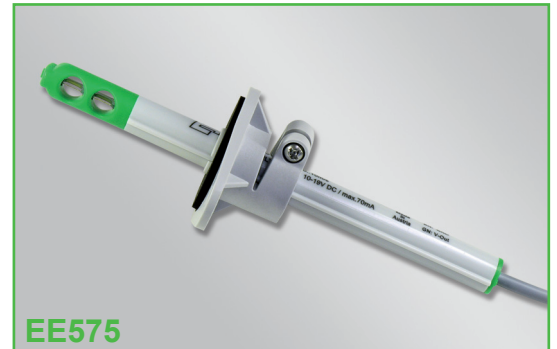
The use of a high-quality E+E thin film sensor element based on the hot film anemometer principle ensures optimal precision and maximum sensitivity.

The innovative design makes E+E velocity sensor elements less sensitive to dust and other pollution than conventional hot wire anemometers. This is reflected in the excellent reproducibility and proven long-term stability of the measuring results.

The EE575 can be mounted fast and easily.

The alignment strip along the probe's tube and the matching mounting flange determine the orientation of the sensor probe. The mounting flange allows for an infinitely variation of the depth of the sensor probe.

The electronics integrated in the probe tube provide a linear analogue signal of 0-5V or 0-10V for the velocity range 0...5m/s (0...1000ft/min) / 0...10m/s (0...2000ft/min) or 0...20m/s (0...4000ft/min).



EE575

Typical Applications

heating and ventilation systems
 fan control
 intake air measurement in furnaces

Features

excellent price/performance ratio
 compact housing
 easy and fast mounting
 customization possible

Technical Data

Measuring values

Working range ¹⁾	0... 5m/s (0...1000ft/min) 0...10m/s (0...2000ft/min) 0...20m/s (0...4000ft/min)
Output signal ¹⁾	0-5V (max. 1mA) 0-10V (max. 1mA)
Accuracy	0.5... 5m/s (100...1000ft/min): ±(0.2m/s / 40ft/min +3% of measuring value) 1... 10m/s (200...2000ft/min): ±(0.3m/s / 60ft/min +4% of measuring value) 1... 20m/s (200...4000ft/min): ±(0.4m/s / 80ft/min +6% of measuring value)
at 20°C / 68°F / 45%RH and 1013hPa	
Response time at 10m/s (2000ft/min) t ₉₀	typ. 4 sec.

General

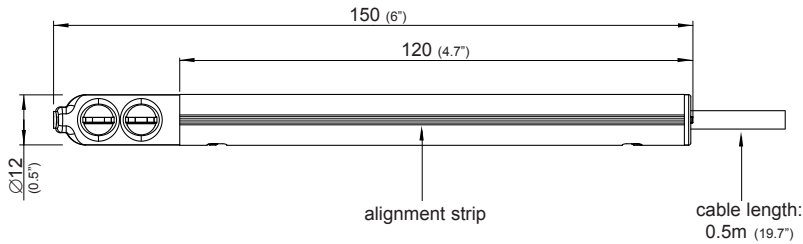
Supply voltage ¹⁾	10 - 19V DC or 19 - 29V DC
Current consumption	max. 70mA at 20m/s (4000ft/min)
Temperature ranges	working temperature: -20...60°C (-4...140°F) storage temperature: -30...60°C (-22...140°F)
Connection	0.5m cable, PVC 3x0.25mm ² with cable end sleeves
Electromagnetic compatibility	EN61326-1 EN61326-2-3
Housing / Protection class	polycarbonate / IP20 (sensor); IP40 (housing)

¹⁾ refer to ordering guide

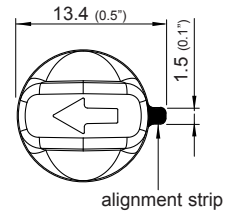


Dimensions (mm)

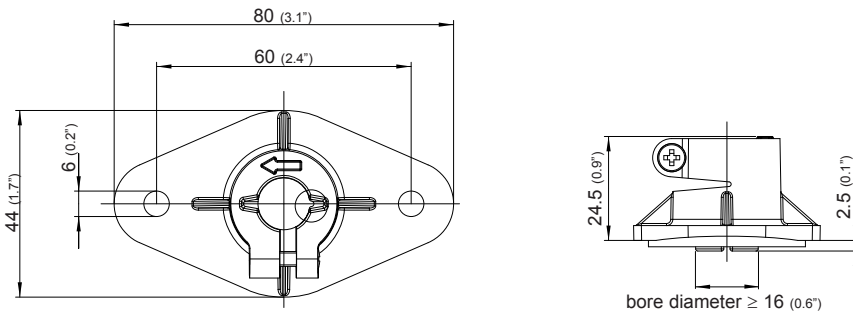
Probe:



Front view sensor head:



Flange (included in the scope of supply):



Cable Assignment

white → V+
 brown → GND
 green → output signal

Ordering Guide

MODEL	OUTPUT	WORKING RANGE	SUPPLY	CABLE LENGTH
air velocity	(V) 0 - 5V	(2) 0...5m/s (0...1000ft/min)	(A) 10 - 19V DC	(1) 0.5m (1.6") (no code)
	0 - 10V ¹⁾	(3) 0...10m/s (0...2000ft/min)	(B) 19 - 29V DC	(2) 2m (6.5") (K200)
		(3) 0...20m/s (0...4000ft/min)	(C)	
EE575-				

1) with supply 19-29V DC only

Order Example

EE575-V2B1

Model: air velocity
 Output: 0 - 5V
 Working range: 0...10m/s
 Supply: 10 - 19V DC
 Cable length: 0.5m