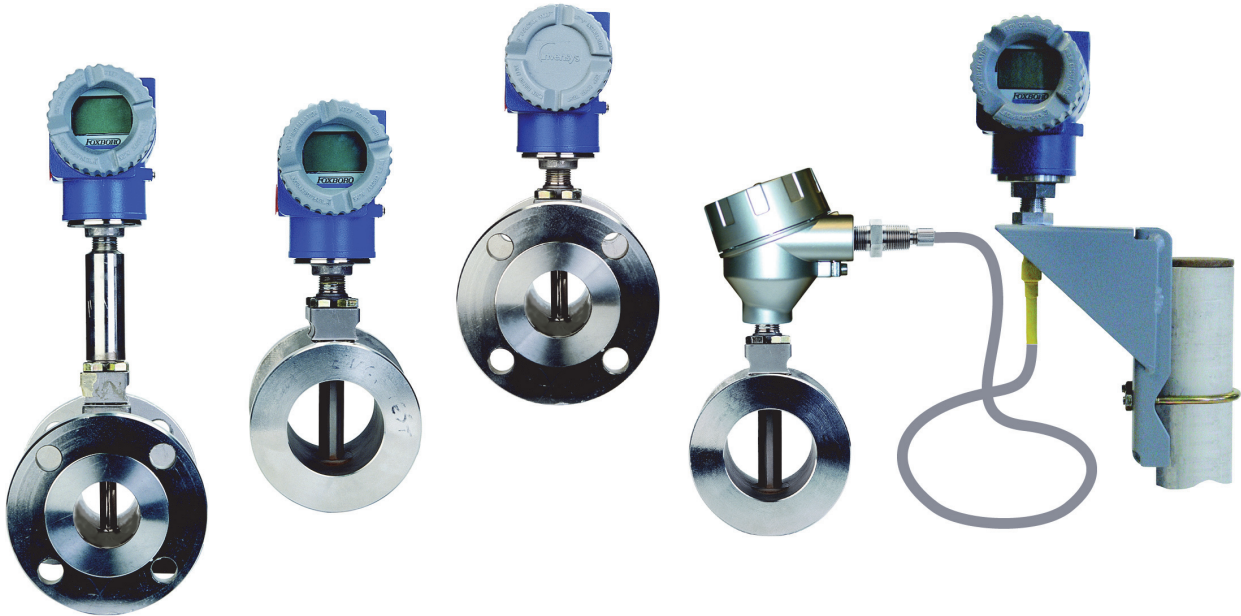


**Models 84F (Flanged Body, Style A) and 84W (Wafer Body) I/A Series
Intelligent Vortex Flowmeters with HART® Communication Protocol**



The Foxboro® brand I/A Series® Models 84F and 84W are part of a family of intelligent, high performance, flanged and wafer body vortex flowmeters. They transmit a 4 to 20 mA or digital multidrop, and a pulse output signal, as applicable, using HART® communication protocol for remote configuration, calibration, and monitoring. An on-board LCD indicator with pushbuttons is also offered for local configuration.

FEATURES

- ▶ Liquid, gas, or steam applications.
- ▶ Flanged or wafer body designs:
 - 3/4 to 12 in (DN 15 to DN 300) flanged body.
 - 3/4 to 8 in (DN 15 to DN 200) wafer body.
- ▶ Best in class accuracy:
 - $\pm 0.5\%$ of reading in liquids.
 - $\pm 1.0\%$ of reading in gas and steam.
- ▶ ActiveTuning™ algorithm:
 - Real time Reynolds number (R_D) low flow correction down to R_D of 5000.
 - Compensation for piping effects.
 - Adaptive filtering and signal conditioning.
 - Tunable for specific operating conditions.
- ▶ Widest rangeability in class.
- ▶ HART communication protocol.
- ▶ DirectSense™ technology with lifetime sensor warranty.
- ▶ Pulse Output provides raw or scaled frequency, or total.
- ▶ Conforms to applicable European Union Directives (including PED)
- ▶ Invensys has a free-to-use, flow sizing program on the internet at www.FlowExpertPro.com.

WIDE VARIETY OF APPLICATIONS

Models 84F and 84W set the example for industry standards whether the application requires accuracy for totalizing and batching; utility metering of fluids in the process industries; fuel, air, steam, or gas metering for the measurement of energy in any high use application; or stability and repeatability for process control.

“CE” COMPLIANCE

These flowmeters comply with applicable European Community Standards for immunity to EMI emissions, and pressure equipment directive (PED) 97/23/EC.

DESIGNED FOR BEST PERFORMANCE AND RELIABILITY

This patented family of vortex flowmeters has the high accuracy and rangeability of positive displacement and turbine flowmeters without the mechanical complexity and high cost. They provide flow rate accuracy of $\pm 0.5\%$ in liquids and $\pm 1.0\%$ in gas and steam. It utilizes patented *DirectSense* technology to eliminate routine problems encountered with other vortex meters. *DirectSense* technology measures pressure pulses from vortex shedding directly, without losses due to mechanical linkages. The benefits of *DirectSense* technology include:

- ▶ Provides best performance in class.
- ▶ Increased measurement sensitivity for wider rangeability.
- ▶ Greater immunity to pipe vibration.
- ▶ High reliability backed by lifetime sensor warranty.
- ▶ Replaceable sensor without recalibrating.

Because these vortex flowmeters have no moving parts, they are very durable and reliable. The simplicity of design ensures low initial cost, low operating and maintenance costs, which contribute to an overall lower cost of ownership.

SIMPLIFIED START-UP

No primary device calculations or mechanical calibrations are required. The flowmeter is easily installed and configured. Simply wire it to a proper power source, an I/O module, or controller, and it is ready to measure flow.

Invensys will preconfigure the flowmeter using flow data supplied by the customer. Generically preconfigured flowmeters can be used as shipped, but for more precise application, the flowmeter should be configured to specific process usage. The configurator allows selection of the fluid type, and provides general default configurations when process conditions are not available.

ACTIVETUNING ALGORITHM

Reynolds Number

Patented algorithm improves accuracy performance down to an R_D of 5000.

Compensations for Piping Effects

When it is not possible to provide the recommended pipe diameters of unobstructed straight pipe upstream of the flowmeter, the 84 Series can be configured to compensate for most of the common non-ideal upstream conditions, such as elbows and reducers. Straight runs as short as 5-pipe diameters can be configured to achieve full accuracy.

Adaptive Filtering and Signal Conditioning

A patented, adaptive filtering algorithm provides real-time, dynamic frequency filters that follow the vortex shedding frequency. This results in unsurpassed low-flow measurement capability and vibration immunity. This is incorporated with a digital smoothing algorithm that conditions the raw vortex signal to virtually eliminate dropped or added pulses, further enhancing low-flow performance.

Tunable for Specific Operating Conditions

Configurable parameters for Low Flow Cut-in and damping allow tuning for specific flow conditions.

COMPACT, EFFICIENT, AND DURABLE DESIGN

The flowmeter mounts between ANSI or EN 1092-1 raised face flanges. See Model Code section for end connections offered with each line size. Other flange face surfaces can be used as a custom design.

The electronics housing is of explosionproof and flameproof construction and provides environmental protection to the enclosed electronics. It is offered integrally mounted to the flowtube, or can be mounted remotely.

The flowmeter's simple, modular design requires minimum maintenance. Common, field replaceable parts are used, including the sensor assembly and amplifier. The amplifier can be replaced without interrupting the flow in the pipe, and sensor can be replaced without process shutdown when an isolation valve is installed. Since a single device is used for multiprocess-fluid applications, ordering is simplified and spare part needs minimized.

USABLE IN HAZARDOUS AREA LOCATIONS

These flowmeters meet numerous agency requirements for hazardous locations.

MEASUREMENT INTEGRATION

These flowmeters provide efficient integration of measurements into HART process control schemes. They operate by using a bidirectional digital signal superimposed on the 4 to 20 mA current signal. They are also offered with or without a pulse output. Remote communication of digital values plus status and configuration information can be achieved via HART communication protocol.

Configurators used with the HART versions are:

- ▶ The HART Communicator (users having a HART Communicator for other devices can have them upgraded with Invensys software to accommodate these flowmeters).
- ▶ The Local Digital Indicator/Configurator with pushbuttons.
- ▶ A PC-based configurator.

With HART, digital multidropping is permitted. This is the connection of several transmitters to a single communications line. Up to fifteen transmitters can be connected on a single twisted pair of wires or over leased telephone lines.

REMOTE MOUNTED ELECTRONICS HOUSING

Remote mounting is offered to allow access to the amplifier and other housing electronics when the measurement is not in an easily accessible location. The remote housing is supported by a bracket, which in turn mounts to a surface or to a nominal 2-in or DN 50 pipe. This housing can be located up to a cable length of 50 ft (15.2 m) from the flowtube without loss of low level signal.

LOCAL DIGITAL INDICATOR/CONFIGURATOR

This is a full feature, 16-character digital indicator and configurator. Total flow and/or the instantaneous flow rate may be displayed in user-selected flow units. The display may be configured for either flow or total, or to toggle between them. Four pushbuttons on the indicator are used to configure the flowmeter.

ISOLATION VALVE

An isolation valve allows the sensor to be removed or replaced without interrupting the flow in the pipe.

FLOWEXPERTPRO™ PROGRAM

The FlowExpertPro program is primarily used to size Foxboro brand flowmeters. It also ensures that the user has selected the proper flowmeter type for his application. This meter selection tool is provided as a free web site to all users, without the need for registration. In addition to flowmeter selection and sizing, the FlowExpertPro program includes the following features:

- ▶ Incorporates a large library of the physical properties of typical process fluids.
- ▶ Displays results in tabular or graphic format.
- ▶ Allows user to save, print, or E-mail results.
- ▶ Provides reference to applicable flowmeter PSSs and other related flowmeter documentation.

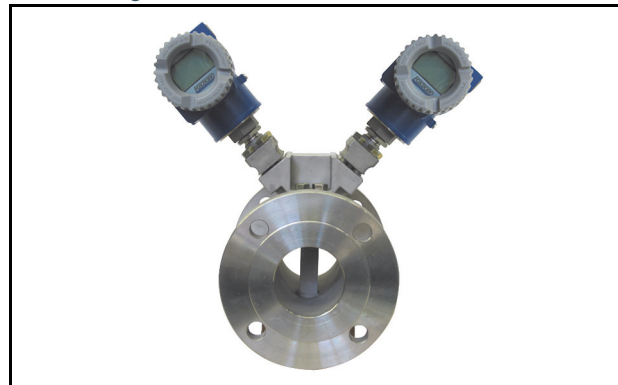
The program calculates minimum and maximum flow rates, rangeability, pressure loss, and Reynolds Number, using established flow equations. It also allows for material and flange selection, and provides ANSI or metric flange recommendations for predicted flow pressure and temperature. You are invited to visit www.FlowExpertPro.com to access this program, or contact Invensys for further information and technical support.

DUAL MEASUREMENT FLOWMETER (84F ONLY)

Dual measurement flowmeters provide the user with redundant sensors and electronics. Two electronics housings and sensors are mounted to a common flowmeter body assembly. Should one transmitter fail, the redundant measurement avoids the necessity of shutting down the process. The failed transmitter can then be replaced at some later noncritical time.

Applications include Safety Shutdown Systems (independent of Process Measurement Network), Safety Backup for critical flow loops, Comparative Verification of Measurement for high accuracy precision loops, or just for dual communications paths with the same primary element. See Figure 1.

Figure 1. Dual Measurement Flowmeter



OPERATING CONDITIONS

Influence	Factory Calibration Conditions (a)	Operating Limits (b)
Process Fluid	Clear Water	Liquid, Gas, and Steam
Process Temperature ▶ Std. Temp. Version/Fluorolube Fill ▶ Std. Temp. Version/Silicone Fill ▶ High Temp. Version/Unfilled	▶ 70 to 85°F (20 to 30°C) ▶ 70 to 85°F (20 to 30°C) ▶ 70 to 85°F (20 to 30°C)	▶ 0 and +200°F (-20 and +90°C) ▶ 0 and +400°F (-20 and +200°C) ▶ 400 and 800°F (200 and 430°C)
Ambient Temperature (Housing) ▶ with Indicator/Configurator ▶ without Indicator/Configurator	▶ 70 to 85°F (20 to 30°C) ▶ 70 to 85°F (20 to 30°C)	▶ 0 and +176°F (-20 and +80°C) (c) ▶ -40 and +176°F (-40 and +80°C) (c)
Relative Humidity	50 to 90%	0 and 100%
Supply Voltage - mA Output	24 ±0.5 V dc	15.5 and 42 V dc (see Figure 3)

(a) Assumes ANSI Schedule 40 process piping; flanges bored to interfacing pipe I.D.; piping and flowmeter body bores aligned to within 2% of meter bore; gaskets to be 0.125 in (3.18 mm) thick and not protruding into pipeline; a minimum of thirty pipe diameters of straight pipe upstream and five pipe diameters downstream of flowmeter; clear water is free from air or particles.

(b) Limits are based on nonflashing, noncavitating conditions. A minimum positive back pressure is required for proper operation to avoid these effects.

(c) The 176°F (80°C) temperature is extended to 185°F (85°C) with certain electrical approvals or certifications. Refer to Electrical Safety Specifications table.

PERFORMANCE SPECIFICATIONS

PERFORMANCE SPECIFICATIONS

Under calibrated operating conditions unless otherwise stated

Factory Calibrated Flow Ranges

Nominal Meter Size	Nominal Mean K-Factor in Pulses/ft ³ (Pulses/L) (a)	Factory-Calibrated Flow Range for Water (b)		
		Range in US gpm	Range in L/s	Range Reynolds Number (R _D)
3/4 in (DN 15)	197 (5580)	6.9 to 34	0.43 to 2.1	30,000 to 150,000
1 in (DN 25)	79.5 (2250)	8.9 to 56	0.56 to 3.5	30,000 to 190,000
1 1/2 in (DN 40)	20.1 (570)	14 to 140	0.88 to 8.7	30,000 to 300,000
2 in (DN 50)	9.11 (258)	18 to 230	1.1 to 15	30,000 to 380,000
3 in (DN 80)	2.78 (78.7)	34 to 500	2.1 to 32	38,000 to 570,000
4 in (DN 100)	1.23 (34.8)	59 to 890	3.7 to 56	50,000 to 750,000
6 in (DN 150)	0.353 (10.00)	140 to 2,000	8.5 to 130	76,000 to 1,100,000
8 in (DN 200)	0.150 (4.26)	240 to 3,600	15 to 220	100,000 to 1,500,000
10 in (DN 250) (c)	0.0703 (1.99)	390 to 5,800	24 to 370	130,000 to 1,900,000
12 in (DN 300) (c)	0.0410 (1.16)	560 to 8,400	36 to 530	160,000 to 2,300,000

(a) The K-factor is the relationship between input (volumetric flow rate) and the output (pulse rate). *Reference* K-factor is the arithmetic mean value of K-factor over a designated flow rate range (reference conditions). The mean K-factor is derived as:

$$\text{Mean K-factor} = (\text{KMAX} + \text{KMIN}) / 2$$

where KMAX is the Maximum K-factor and KMIN is the Minimum K-factor over the calibrated flow range.

(b) Factory calibrated Reynolds Number range applies to standard temperature sensor without isolation valve. Other sensor selections and manifold selections may alter the calibration range. See the FlowExpertPro program for specific calibration ranges.

(c) The 10 and 12 in (DN 250 and DN 300) flowmeters are available with the Model 84F only.

Accuracy for Liquids

Accuracy within the calibrated range is as follows (also see Figure 2):

- ▶ Above 30,000 R_D; ±0.5%
- ▶ Between 20,000 and 30,000 R_D; ±1.0%
- ▶ Between 5,000 and 20,000 R_D; ±2.0%

Accuracy for Gases and Steam

Accuracy within the calibrated range is as follows:

- ▶ Above 20,000 R_D; ±1.0%
- ▶ Between 5,000 and 20,000 R_D; ±2.0%

NOTE

To achieve the fluid accuracies listed above, the flowing density and viscosity must be entered in the database configuration. Also, refer to FlowExpertPro.com to determine accuracy for specific applications.

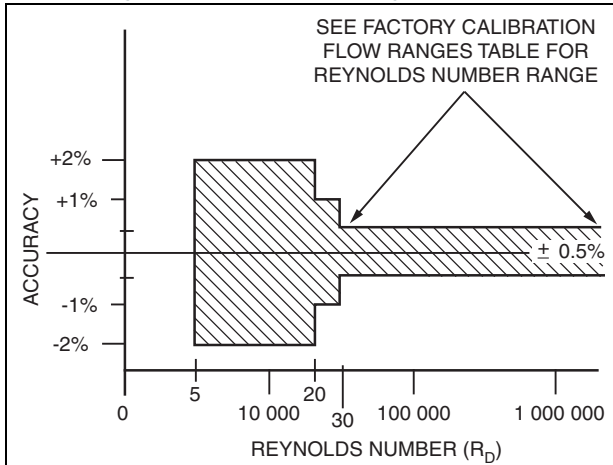
Supply Voltage Effect (Within Stated Limits)

- ▶ With Pulse Output: No effect on accuracy
- ▶ With Analog Output: Less than 0.005% per volt
- ▶ With Digital Output: No effect on accuracy

Process Temperature Effect on K-Factor

There is an effect on the reference K-factor due to a diameter change of the flowtube bore with temperature. The effect is -0.3% of flow rate per 100°F (55°C) increase in temperature. These flowmeters will automatically recompute a flowing K-factor when process temperature is entered in the database fluid definition.

Figure 2. Flowmeter Accuracy for Liquids



Ambient Temperature Effect (Amplifier only)

- ▶ With Pulse Output
 - ±0.01% of reading from -40° to +176°F (-40° to +80°C) (1)
- ▶ With Analog Output
 - For 50°F (28°C) change in ambient temperature within operative limits.
 - Zero (4 mA): ±0.02% of span maximum
 - Span (16 mA): ±0.1% of span maximum
- ▶ With Digital Output
 - ±0.01% of reading from -40° to +176°F (-40° to +80°C) (1)

Relative Humidity Effect

No effect if covers and conduit seals are properly installed.

EMI and RFI Effects

The flowmeters meet the EMI and RFI requirements of EN 61326-1.

Vibration Effect

Vibration can affect the flow measurement output of a Vortex flowmeter in the form of added pulses, but with the built-in Tuning functions and Low Flow Cut-in adjustability, these effects can be minimized. Invensys has tested this meter with vibrations up to 3 “g” of acceleration with no physical damage, no shift in calibration after the test, and no loss of communications throughout the test.

Position Effect (Filled Pipe Conditions)

For most applications, the flowmeter can be mounted in a pipeline which may run in any direction from the vertical (flow in upward direction) to the horizontal. Measurement of liquid and gas streams is not affected by the pipeline orientation or the flowmeter orientation in the pipeline.

For saturated steam, the recommended flowmeter position is in a horizontal pipe with the electronics housing located below the pipeline.

For superheated steam, the electronics housing may be left or right or below the pipeline. The flowmeter should be insulated to maintain superheat conditions within the flowmeter, as well as insulating the electronics away from the rising heat. The electronics temperature should not exceed 176°F (80°C) under any conditions.

Refer to Recommended Mounting Arrangements section for further information.

(1) The 176°F (80°C) temperature may be extended to 185°F (85°C). Refer to Electrical Safety Specifications table further in the document.

FUNCTIONAL SPECIFICATIONS

Direct Connectivity to I/A Series Open Industrial System

The Models 84F and 84W can be connected directly to the I/A Series System using fieldbus modules (FBMs). An FBM applicable to your installation can be provided.

Remote Communication/Configuration

Refer to Table 1 for remote configurators and communicators used with these flowmeters.

Local Communication/Configuration

In addition to remote communications, a local digital indicator/configurator with pushbuttons is also available for local interrogation and configuration.

Communication Format

Digital communications is provided in both the analog (4 to 20 mA) and digital modes based upon the FSK (Frequency Shift Keying) technique. See Table 1 for communication parameters.

Table 1. Remote Communication Parameters

Parameter	Hart Analog or Digital Multidrop Mode
Remote Configurator/Communicator	HART Communicator or PC-Based Configurator
Communication Rate	1200 baud
Communication Distance (Rated)	6,000 ft (1,800 m)
Flow/Total Measurement Update	5 times/s
Raw Pulse Measurement Update	Vortex Shedding Frequency

Write Protect Jumper

A write protect jumper provides additional security by allowing the user to prevent the local indicator (configurator) and remote configurator from writing to the electronics. This write protection capability meets the security requirements of ISA-584.01-1986.

Password Protection

This is provided in the local display/configurator mode to assure operating security. A second level of protection is provided for configuration security.

On-Line Diagnostics

Flowmeter uses many internal diagnostic functions including hardware checks, and internal code and database validation. Error checking and diagnostic codes are also embedded in the communications protocol. These diagnostics are performed at startup and as continuous background checks.

Offline Diagnostics (Self-Test)

The configurators allow self-tests to be initiated to validate the transmitter electronics. This test uses an internally generated frequency signal.

Supply Current

- ▶ Digital Mode: 10 mA dc nominal
- ▶ Analog Mode: 22 mA dc maximum
- ▶ Pulse Output: 20 mA dc maximum

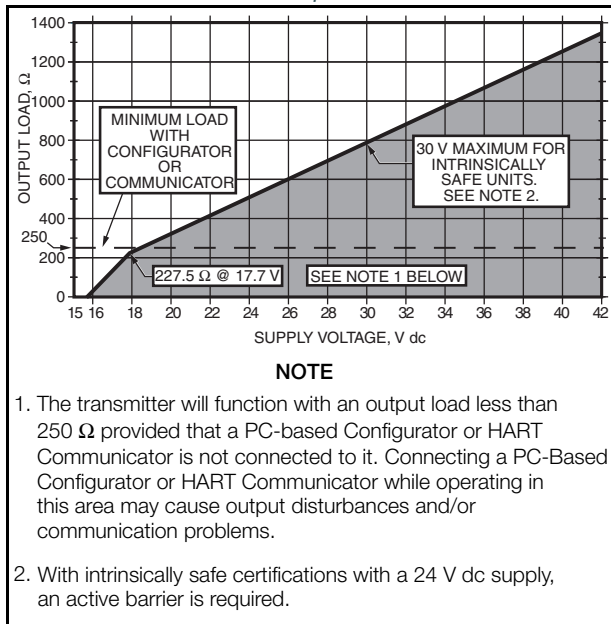
Supply Voltage

15.5 to 42 V dc, depending on electrical safety approvals and certifications. Refer to Figure 3.

NOTE

When operating at ambient temperatures below -20°F (-29°C), it is important to maintain a minimum loop voltage of 15.75 V dc to maintain remote configurator communications capability.

Figure 3. Supply Voltage vs Output Load for 4 to 20 mA Output



Output Damping

Damping smooths the flow rate output, and optimizes the flowmeter's response time to the control system. Damping is an exponential filter with a selectable time constant; it can be set between 0 and 32 seconds. An eight second damping factor will pass 64% of the step change in this time period. Damping applies to all outputs except the Raw Pulse Output where no damping is applied to the direct vortex shedding frequency.

Response Time (Without Damping)

- ▶ Analog Mode
 - 0.5 second or the vortex shedding period for frequencies less than 2 Hz.
- ▶ Digital Mode
 - 0.5 second or the vortex shedding period for frequencies less than 2 Hz.
- ▶ Pulse Output
 - Raw Pulse: Vortex shedding frequency
 - Rate or Total Pulse: 0.25 s or the vortex shedding period for frequencies less than 2 Hz.

Outputs

These flowmeters with full-featured electronics can support the following outputs:

- ▶ HART Version -T: Digital and 4 to 20 mA output, with a pulse output
- ▶ HART Version -U: Digital and 4 to 20 mA output

Analog Output

Flow rate available as a 4 to 20 mA signal with the 20 mA value being set by the configured full range flow rate.

Digital Output

Digital Information is superimposed on a 4 to 20 mA signal at 1200 baud (see Table 1).

Pulse Output

The pulse output can be configured with the full-function electronics: raw pulse, rate pulse, and total pulse.

- ▶ Raw Pulse: This is the vortex shedding frequency directly passed through providing an instantaneous, nondampened frequency output.
- ▶ Rate Pulse: The frequency of this output is a 50% duty cycle pulse output with a frequency range of 0 to 10, 0 to 100, or 0 to 1000 Hz, proportional to zero flow to the full range flow rate/upper range value (URV).
- ▶ Total Pulse: The frequency of this output is also a 50% duty cycle pulse output that is configured to provide a pulse when a determined volumetric/totalized unit has flowed through the meter.

FUNCTIONAL SPECIFICATIONS

Pulse Output Specifications

The pulse output is an externally powered 2-wire transistor switch type output. This output can be configured using any applicable configuration device to select any one of three types of pulse outputs: raw pulse, rate pulse, and total pulse. The following specifications apply to all three types of outputs:

- ▶ Isolated 2-Wire Transistor Switch
- ▶ Applied Voltage: 5 to 30 V dc
- ▶ Maximum “ON” State Voltage Drop: 1.0 V dc
- ▶ Maximum “ON” State Current: 20 mA
- ▶ Reverse polarity protected
- ▶ Short circuit protected
- ▶ Connectable to pull up or pull down counters.

Output Combinations (4 to 20 mA Outputs)

Flowmeter wired as a 2-wire device without pulse output, and as a 4-wire device with pulse output.

Nominal Flow Velocity Limits

These limits can be calculated using Table 2. In the table, ρ_f is the fluid density at flowing conditions in lb/ft³ for U.S. customary units, or in kg/m³ for SI units. The specifications apply for most applications, but can deviate slightly for some combinations of density and line size.

Table 2. Nominal Flow Velocity Limits

Range Limit	Standard Temperature Range		Extended Temperature Range	
	ft/s	m/s	ft/s	m/s
Lower	$2.5/\sqrt{\rho_f}$	$3.0/\sqrt{\rho_f}$	$5.0/\sqrt{\rho_f}$	$6.0/\sqrt{\rho_f}$
Upper	$250/\sqrt{\rho_f}$	$300/\sqrt{\rho_f}$	$250/\sqrt{\rho_f}$	$300/\sqrt{\rho_f}$

Flowmeter Ranges

Flowmeter is shipped with flow range specified in the sales order or with a default flow range equal to the meter capacity. It can be reranged by the user keeping the same flow rate units, choosing new flowrate units from a built-in menu-selectable list, or entering custom flow rate units. Table 2 is included for reference only. Please visit www.FlowExpertPro.com to determine flow velocity limits.

Reference K-Factor

The reference K-factor is a coefficient that specifies the flowmeter calibration and is expressed as pulses per unit volume, where pulses/unit volume = pulses per second divided by volume flow per second.

The reference K-factor is the arithmetic mean value of K over the factory-calibrated flow range. It is determined at the factory by actual flow calibration with water by comparison to a master flowmeter calibration, or by actual static weight. Both calibrations are traceable to NIST. The reference K-factor is entered in the flowmeter database and stamped on the data plate. Once established, this K-factor is available to gas, liquid, or steam applications.

Flowing K-Factor

The flowing K-factor is computed from the K-reference expressed in specified flowing units, and can be corrected for the following:

- ▶ Process Temperature
- ▶ Mating Pipe
- ▶ Upstream Disturbances

Process Temperature Correction

The flowmeter computes a corrected K-factor at the specific process temperature entered by the user.

K-Factor Bias

Provisions are made in the configuration menu to bias the flowmeter K-factor by a percent (%) value. Flowing K-factor value will be automatically recalculated when the % bias is entered.

Static Pressure Limits

Minimum Static Pressure

The minimum static pressure is that pressure which is sufficient to prevent flashing and meet the pressure drop requirements to attain maximum flow rate. Refer to the FlowExpertPro sizing program.

Maximum Static Pressure

1500 psig (103.4 bar) (10 340 kPa) or that imposed by flange rating.

Approximate Pressure Loss (Pressure Drop)

The maximum pressure loss at maximum flow for any fluid is 8 psi (55 kPa). For many flow conditions, however, the actual pressure loss is much less than 8 psi (55 kPa). Use the FlowExpertPro sizing program to determine actual pressure loss for a given set of flow conditions.

Minimum Back Pressure (Volatile Liquids or Low Pressure Conditions)

Any condition that tends to contribute to the release of vapor from the liquid (flashing, which may also induce cavitation) shall be avoided by proper system design and operation of the flowmeter within the rated flow rate range. Location of flowmeter should consider the need for using a back-pressure valve, or

for increasing inlet pressure. To avoid flashing and to ensure stable vortex generation, the minimum back pressure should be:

$$P_G = (3)(\Delta P) + (1.25)(p_v) - (p_{atm})$$

where

- P_G = Gauge pressure in kPa or psi five pipe diameters downstream of the flowmeter
- ΔP = Pressure loss in psi or kPa; see "Approximate Pressure Loss (Pressure Drop)" on page 10
- p_v = Vapor pressure at line conditions in psi or kPa absolute
- p_{atm} = Atmospheric pressure in psi or kPa absolute

Flange Pressure-Temperature Ratings

See Figures 6 through 8 for ANSI flange pressure-temperature ratings.

See Figures 9 through 11 for metric flange pressure-temperature ratings.

See Figure 12 for pressure-temperature limits when isolation valves are used.

Also note the temperature limit when fluorolube fill (200°F/90°C) or silicone fill (400°F/200°C) is used, or when no fill (800°F/430°C) is used with extended temperature applications.

The flange ratings in Figures 6 through 12 are also embedded in the FlowExpertPro sizing program.

Functional Block Diagrams

Figure 4. HART 4 to 20 mA Topology

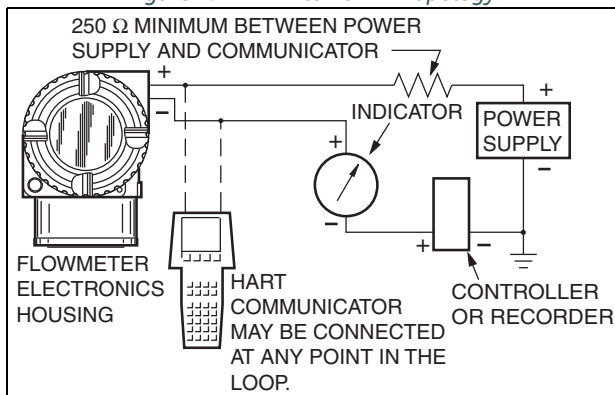


Figure 5. HART Multidrop Topology

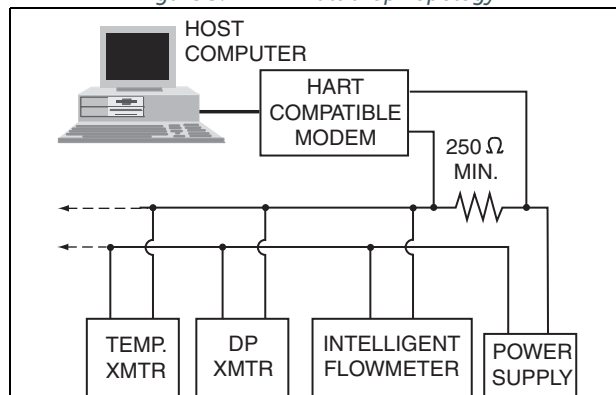


Figure 6. ANSI Flange Ratings; per ASME B16.5; Group 2.2 Materials

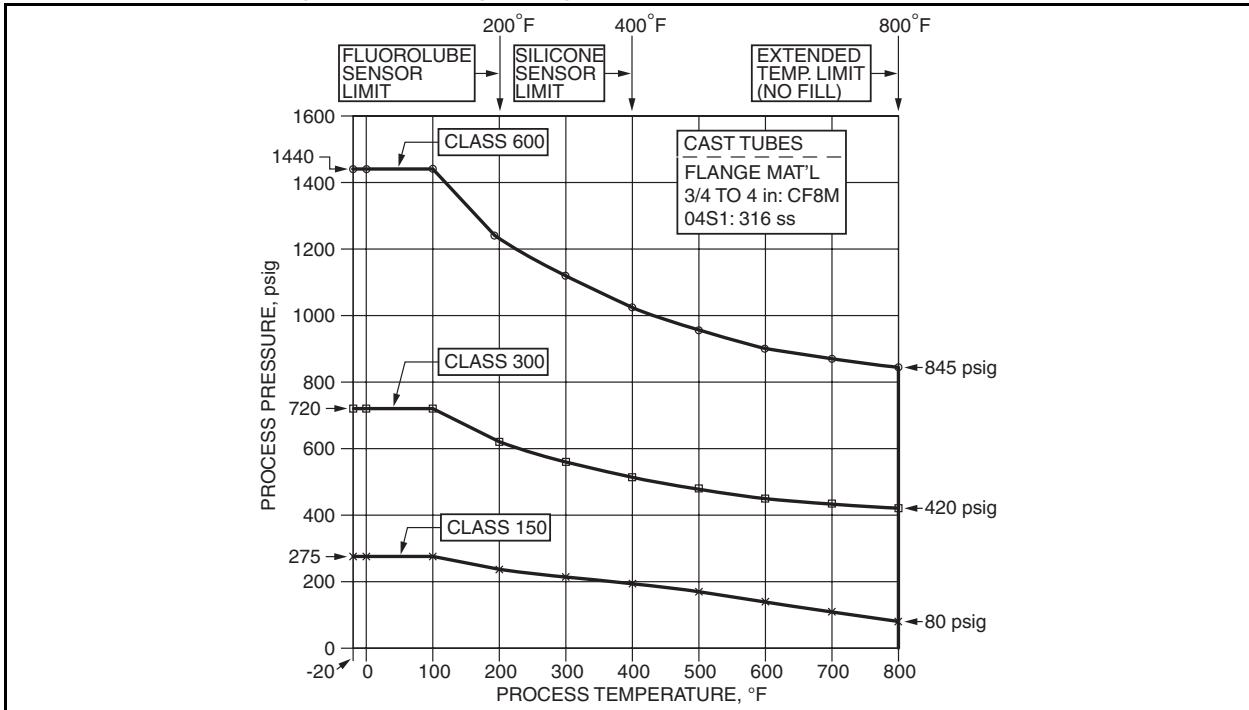


Figure 7. ANSI Flange Ratings; per ASME B16.5; Group 2.1 Materials

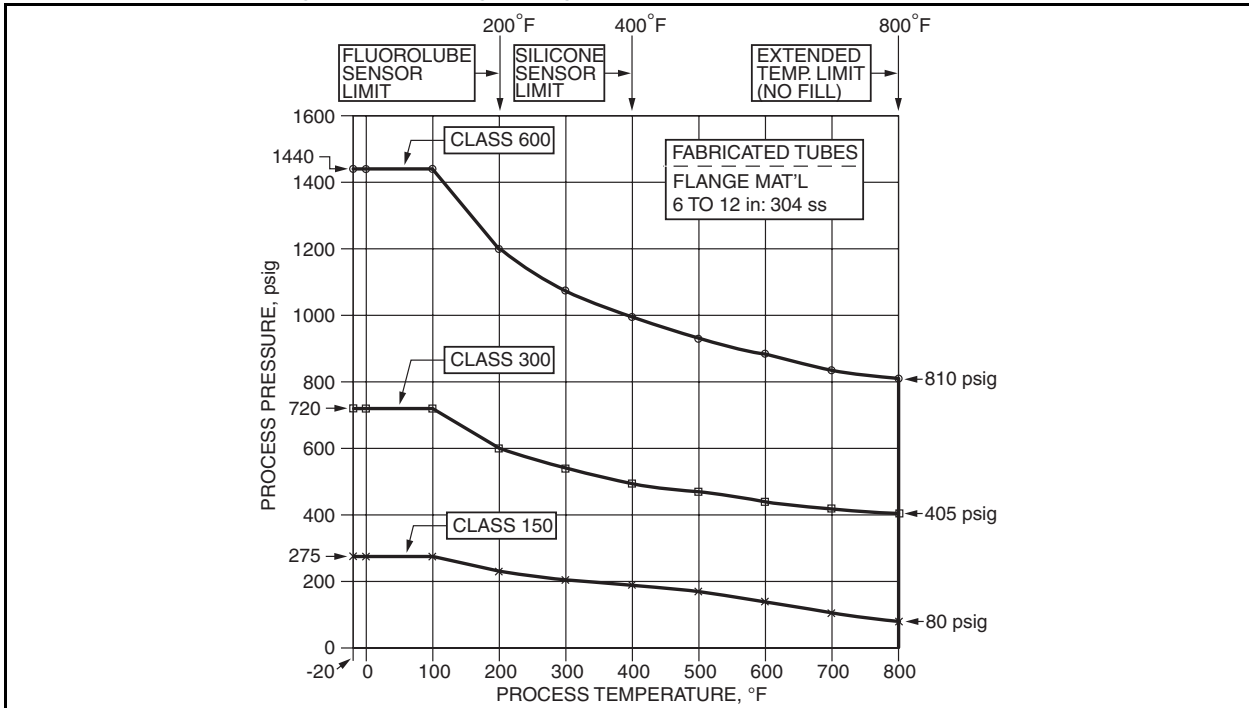


Figure 8. ANSI Flange Ratings; per ASME B16.5; Group 1.1 Materials

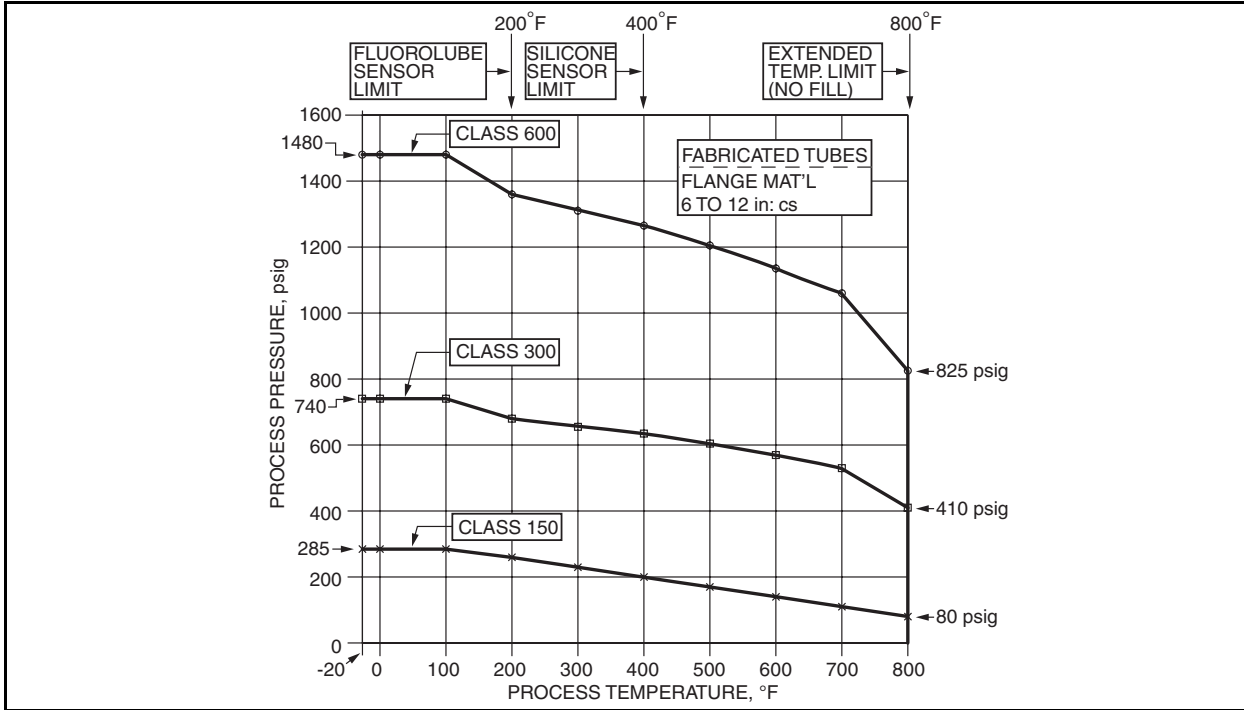


Figure 9. Metric Flange Ratings; per EN 1092-1; Material Group 14E0

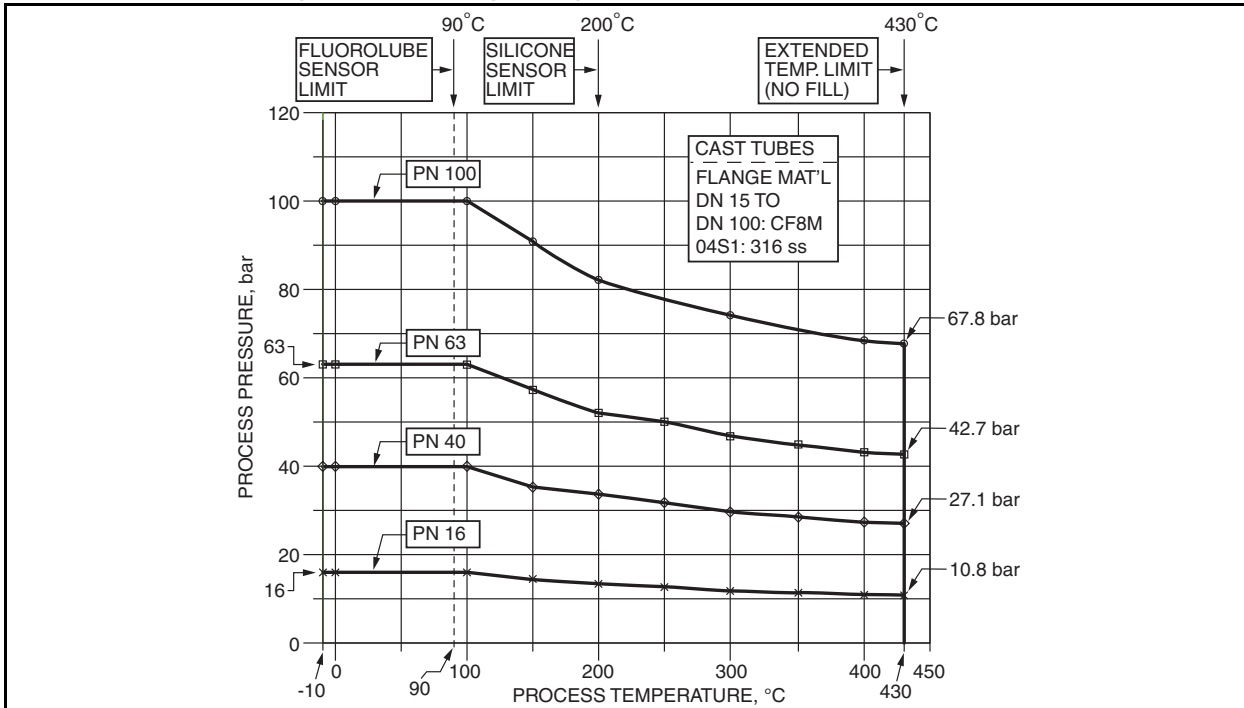


Figure 10. Metric Flange Ratings; per EN 1092-1; Material Group 10E0

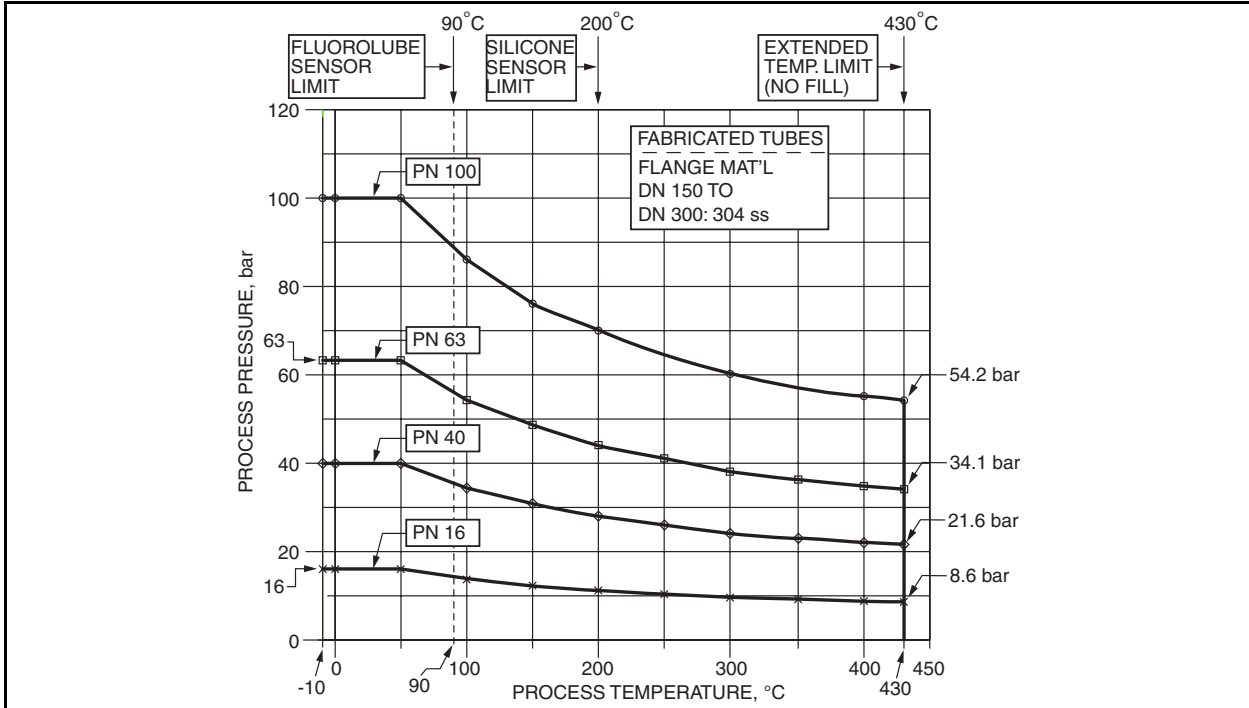


Figure 11. Metric Flange Ratings; per EN 1092-1; Material Group 3E0

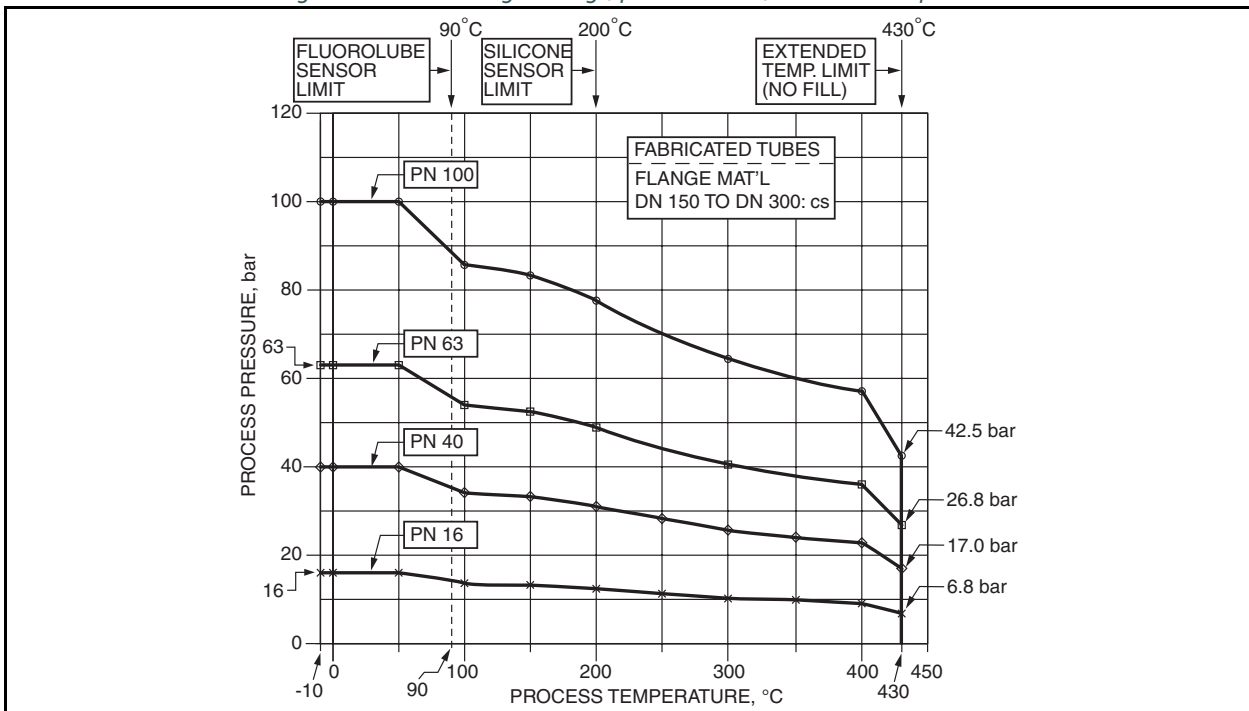
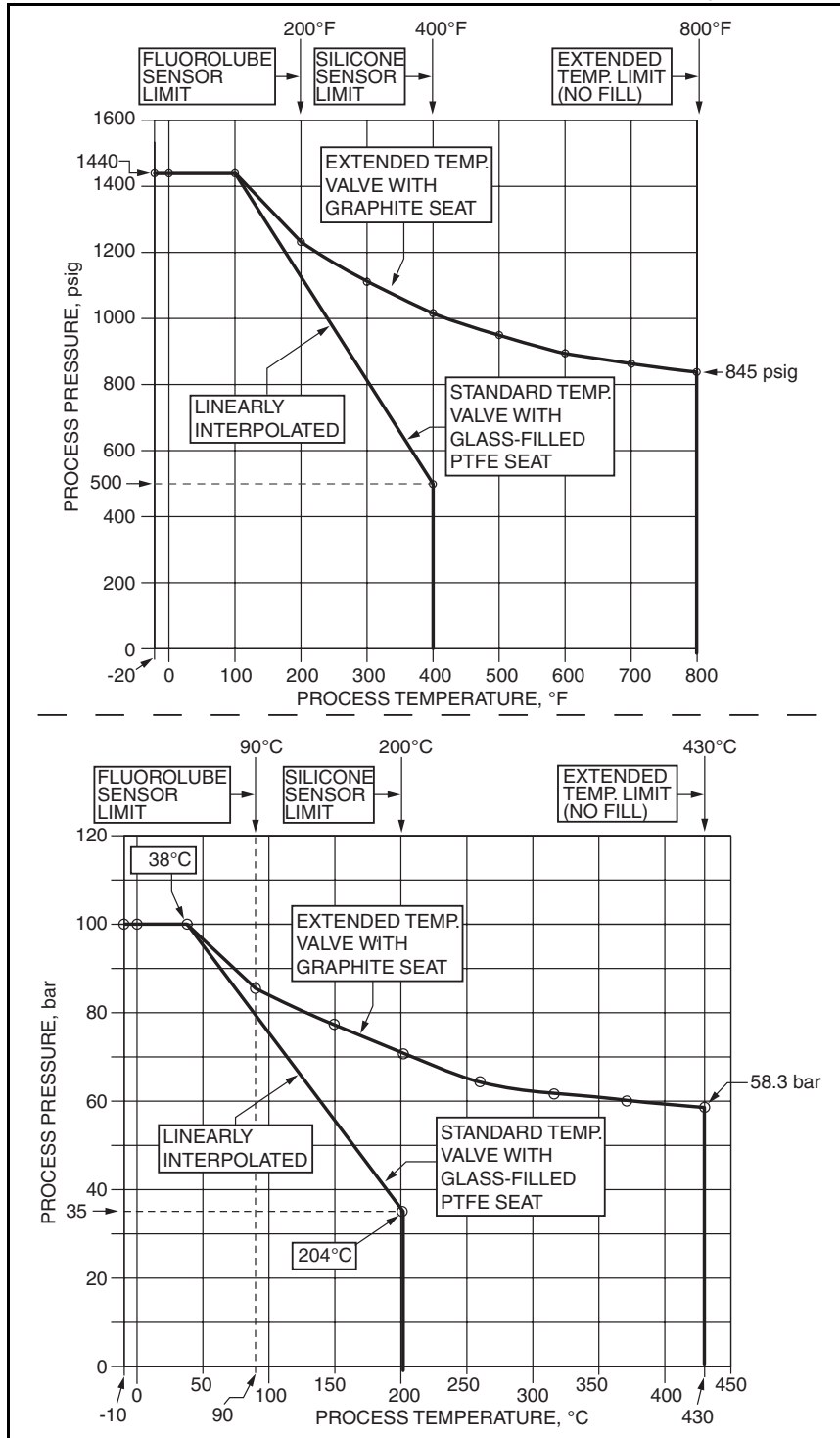


Figure 12. Pressure-Temperature Limits with Isolation Valves; U.S. Customary and Metric Units



PHYSICAL SPECIFICATIONS

See Model Code for options

Process-Wetted Parts - Model 84F

Flowmeter Body, Flanges, and Shedding Bar

- ▶ 316 ss up to 4 in (DN 100) sizes;
- ▶ 304 ss body and shedder, and cs or ss flange, for sizes >4 in (>DN 100).

Gaskets and Flow Dam (sensor seals)

- ▶ Standard Temperature Sensor
 - PTFE gasket and flow dam
- ▶ High Temperature Sensor
 - 316 ss gasket; 316 ss/grafoil flow dam
 - Nickel alloy CW2M (equivalent to Hastelloy® C-4C)⁽²⁾ gasket; nickel alloy CW2M/grafoil flow dam

Process-Wetted Parts - Model 84W

Flowmeter Body and Shedding Bar

- ▶ 316 ss for all sizes; or
- ▶ Nickel alloy CW2M (equivalent to Hastelloy® C-4C) for 3/4 to 4 in (DN 15 to DN 100) sizes.

Gaskets and Flow Dam (sensor seals)

- ▶ Standard Temperature Sensor
 - PTFE gasket and flow dam
- ▶ High Temperature Sensor
 - 316 ss gasket; 316 ss/grafoil flow dam
 - Nickel alloy CW2M (equivalent to Hastelloy® C-4C) gasket; nickel alloy CW2M/grafoil flow dam

Dual Measurement Manifold - Model 84F Only

CF8M stainless steel; pressure and temperature rating of dual manifold same as flowmeter body.

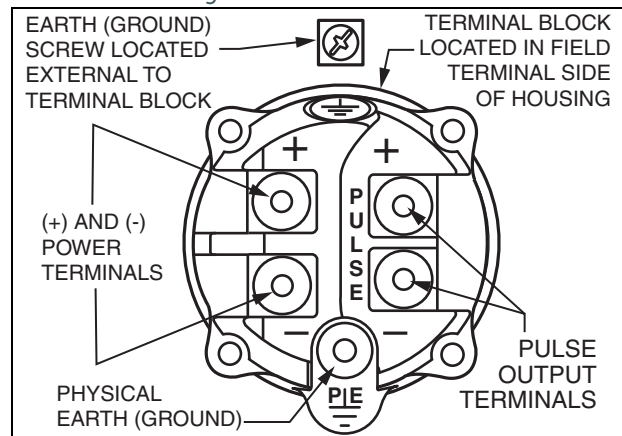
Flowmeter Mounting

Flowmeter can be located in a pipeline which may run in any direction from the vertical (upward flow) to the horizontal. The electronics housing can also be rotated 270° (in 90° increments) with respect to the body. A vertical pipeline is preferred for batch operations to provide improved full line assurance. See “RECOMMENDED MOUNTING ARRANGEMENTS” on page 20.

Electrical Connections

Field wires enter through 1/2 NPT or M20 conduit threaded entrances on either side of the electronics housing. Wires terminate under screw terminals and washers on terminal block (see Figure 13) in the field terminal compartment. Unused entrance is plugged to insure moisture and RFI/EMI protection.

Figure 13. Terminal Block



Electronics Housing and Housing Covers

A two compartment housing separates the electronics from the field connections. Housing and covers are low copper, die-cast aluminum alloy with an epoxy finish. Buna-N O-ring seals are used to seal the housing covers, housing neck, and terminal block.

⁽²⁾ Hastelloy® is a registered trademark of Haynes International, Inc.

Electronics Module

Printed wiring assemblies (PWAs) are conformally coated for moisture and dust protection.

Environmental Protection

The electronics housing has the dusttight and weatherproof rating of IP66 as defined by IEC 60529, and provides the environmental and corrosion resistant protection rating of NEMA 4X.

Isolation Valve

(If applicable; see Model Code for selection options.)

- ▶ Valve Body: Grade CF8M stainless steel
- ▶ Valve Ball: 316 ss
- ▶ Valve Seats:
 - Standard Temperature: Glass-Filled PTFE
 - Extended Temperature: Graphite
- ▶ Stem Seal: The valve stem seal meets the external leakage requirements for fire safety per API Standard 607.
- ▶ Valve Handle: Use adjustable wrench.
- ▶ Seat Leakage
 - Standard Temperature
Class IV – Less than 5 mL/h per MSS-SPG1.
 - High Temperature
Class IV per ANSI/FCI-70.2
- ▶ Flow Velocity Limits: See “Nominal Flow Velocity Limits” on page 9.
- ▶ Applications: Recommended for use with clean liquids, saturated steam, and all gases.
- ▶ Limitations: Not recommended for use with superheated steam without insulation, or liquids with suspended solids.
- ▶ Mounting: See MI 019-202 for installation guidelines.

▶ Pressure/Temperature Rating:

Both standard and extended (high) temperature isolation valves have a maximum pressure rating of 1440 psi at 100°F (100 bar at 38°C). The standard temperature valve with PTFE seats is further limited to a maximum pressure of 500 psi at 400°F (35 bar at 204°C). The extended temperature valve has an ANSI Class 600 temperature and pressure rating. See Figure 12.

Data Plate

Stainless steel data plate encircles and is secured to the lower part of the electronics housing. Includes conventional Model and operating data, including the factory calibration factor (K-factor). If additional tag data space is required, an optional Stainless Steel Customer Tag is offered.

NACE Certification

These flowmeters have been designed to meet the requirements of NACE Standard MR-0175-2003 for use in H₂S Sour Oilfield environments. The design and process wetted materials also comply with NACE Standard MR-0103-2007 for use in corrosive petroleum refining environments. A NACE compliance certificate is available by selecting the -Q option.

Dimensions

Refer to Dimensions - Nominal section for general outline data. For more dimensional details, refer to the following Dimensional Prints (DPs).

Model	Configuration	Dimensional Print
84F	Single Measurement	DP 019-120
84F	Dual Measurement	DP 019-121
84W (a)	Single Measurement	DP 019-122

(a) The 84W is not available as a Dual Measurement Flowmeter.

Approximate Weight

Refer to Table 3. Weights shown in the table are approximate and are meant as a guide to the user.

- ▶ Standard temperature flowmeter weights are listed for integrally mounted electronics housings. There is a slight weight difference for high temperature flowmeters (adds about 1 lb (0.5 kg)), or for remote mounted housings (housing replaced by connector head assembly/junction box). The electronics housing itself weighs about 4 lbs (2 kg) and varies slightly depending on whether indicator/configurator, and/or extended housing covers are used.
- ▶ For single measurement flowmeters, add approximately 2 lb (1 kg) if an isolation valve is used.
- ▶ For dual measurement flowmeters (applicable to 84F flowmeters only):
 - Add approximately 9 lb (4 kg) when a manifold without isolation valves is used.
 - Add approximately 15 lb (7 kg) when a manifold with two isolation valves is used.

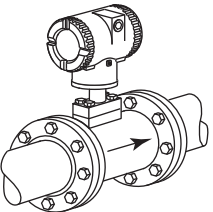
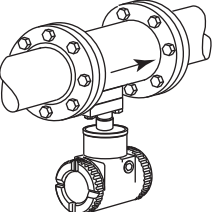
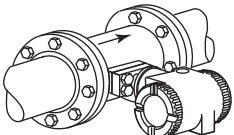
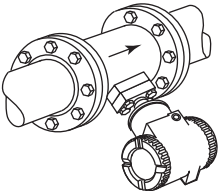
Table 3. Approximate Weight - Models 84W and 84F

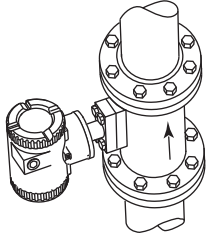
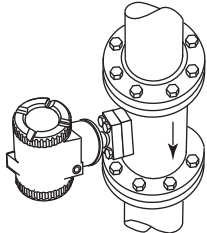
Nominal Line Size		Model 84W Wafer Body		Model 84F Flanged Body (a)	
in	mm	lb	kg	lb	kg
3/4	DN 15	5	2.3	9	4.1
1	DN 25	6	2.7	11	5
1 1/2	DN 40	7	3.2	14	6.5
2	DN 50	10	4.5	18	8
3	DN 80	18	8.0	30	14
4	DN 100	25	11.5	45	20
6	DN 150	35	16	70	30
8	DN 200	60	27	125	57
10	DN 250	Not Available	Not Available	190	90
12	DN 300	Not Available	Not Available	260	120

(a) The weights listed are for the 84F with ANSI Class 150 flanges.

Agency, Types of Protection, and Area Classification	Application Conditions	Elect. Safety Design Code
FM Intrinsically safe: Class I, II, III, Div. 1, Groups A, B, C, D, E, F, G; T4 Class I Zone 0 AEx ia IIC T4	Temperature Class T4; Ta = 80°C	F
FM Explosionproof with Intrinsically Safe sensor connection: Class I, II, III, Div.1, Groups B, C, and D; T5 Dust-ignitionproof for Class II, III, Div. 1, Groups E, F, and G	Temperature Class T5; Ta = 85°C	G
FM Nonincendive: Class I, II, Div. 2, Groups A, B, C, and D; T4 Class II, III, Div. 2, Groups F and G	Temperature Class T4; Ta = 80°C	K
IECEX Intrinsically safe: Ex ia IIC T4 Ga; Ex tb IIIC T103°C Db	IECEX SIR 06.0020X Temperature Class T4; Ta = -40° to +80°C	L
IECEX Flameproof: Ex d [ia Ga] ia IIC T4 Gb Ex tb IIIC T85°C Db	IECEX SIR 06.0020X Integrally mounted electronics. Temperature Class T4; Ta = -20° to +80°C	B
IECEX Flameproof: Ex d [ia Ga] IIC T4 Gb Ex tb IIIC T85°C Db	IECEX SIR 06.0020X Electronic housing of remote mounted version. Temperature Class T4; Ta = -20° to +80°C	B
NEPSI Intrinsically safe, Zone 0, Ex ia IIC	Temperature Class T4; Ta = -40° to +80°C	R
NEPSI Flameproof, Zone 1, Ex d IIC (except acetylene)	Temperature Class T5; Ta = -40° to +85°C	S
Unit with CE mark and PED controls and records		Y
Unit does not have CE mark; not to be installed in European Union (EU) countries		Z

RECOMMENDED MOUNTING ARRANGEMENTS

Flowmeter Mounting Arrangements Model 84F Single Measurement Flowmeter Shown (Dual Measurement Flowmeters follow same arrangements)		Flowmeter for Use With:			
		Liquid	Gas	Saturated Steam	Superheated Steam
	Housing Above Pipe; Isolation Valve and Dual Measurement Flowmeter NOT Used.	Yes (a)	Yes	No	Yes (b)
	Housing Above Pipe; Isolation Valve and Dual Measurement Flowmeter CAN Be Used.	No (c)	Yes	No	Yes (b)
	Housing Below Pipe.	Yes (d) (e) (f)	Yes (e)	Yes	Yes (b)
	Housing to Side of Pipe.	Yes	Yes	No	Yes (b)
	Housing to Side and Below Pipe.	Yes (f)	Yes	No	Yes (b)

Flowmeter Mounting Arrangements (Continued) Model 84F Single Measurement Flowmeter Shown (Dual Measurement Flowmeters follow same arrangements)		Flowmeter for Use With:			
		Liquid	Gas	Saturated Steam	Superheated Steam
	Vertical Pipe, Flow upward.	Yes	Yes	No	Yes (b)
	Vertical Pipe, Flow Downward.	Yes (g)	Yes	No	Yes (b)

- (a) Possibility of temporary start-up error due to trapped air.
- (b) Requires adequate insulation.
- (c) Not recommended for liquids with isolation valve.
- (d) Best choice when errors due to start-up cannot be tolerated.
- (e) Recommended only for clean fluids.
- (f) Preferred for liquids with isolation valve.
- (g) Not preferred; must maintain full pipe with no voids in fluid.

OPTIONAL SELECTIONS AND ACCESSORIES

Options -B, -D, -E, -G: Cable Assembly to Remote Electronics Housing

When selecting Code -R for a Remote Mounted Housing, a cable length must be selected. Four cable lengths are offered as follows:

Option	Cable Length
-B	20 ft (6 m)
-D	30 ft (9 m)
-E	40 ft (12 m)
-G	50 ft (15 m)

Option -H: Cleaning for Oxygen or Chlorine Gas Service

Process wetted parts are cleaned for oxygen or chlorine service in compliance with Compressed Gas Association's CGA-4.1 and ASTM G93. Cleaning is not offered when an isolation valve, or dual measurement or extended temperature meters are selected. Select Option -H.

Option -J: Gold Plated Sensor

This option is recommended for H₂ (Hydrogen) processes. Specify Option -J.

Options -L, -M, -Q: Foxboro Certificates of Conformance and Compliance

Three material certificates are offered. Option -L provides a certificate of compliance to the specifications of the Invensys/Foxboro Quality System, which conforms to ISO 9001. Option -M is a certification of material for process wetted metal (conforms to BS EN 10204 3.1). Option -Q certifies that process wetted materials meet NACE Standards MR-0175-2003 and MR-0103-2007.

Option -N: Certified Calibration Certificate

A calibration and pressure test sheet come standard with each flowmeter. A certified flow calibrated K-factor and pressure test certificate is available by selecting Option -N.

Options -F, -V, -X: Welding Certificates – With Flanged Body Flowtubes Only

Three certificates are available. Option -F certifies that the fabrication of 150 to 300 mm (6 to 12 in) flowtubes by welders is to ASME Boiler Code, Section IX. Option -V provides radiographic examination and certification of circumferential welds (not available with ANSI Class 150 or Metric PN 16 flanges). And Option -X certifies that welding is per ASME Boiler Code and Radiographic Examination (except as noted for Option -F).

Option -P: Cable Connector - Hawke-Type Cable Gland

Brass cable gland with 1/2 NPT external thread. Provides support for field cable. Ensure that this cable connector is qualified to meet the electrical safety specification selected. See Electrical Safety Specification section. Available with Electronics Housing Codes T and R only (1/2 NPT). Select Option -P.

Option -R: Cable Connector - PG11 Cable Gland

A PG11 cable gland with 1/2 NPT external thread. Provides strain relieved support for field cable. The PG11 is for cable diameters from 8 to 12 mm. Ensure that this cable connector is qualified to meet the electrical safety specification selected. See Electrical Safety Specification section. Available with Electronics Housing Codes T and R only (1/2 NPT). Select Option -R.

Option -T: Conduit Fitting

A conduit fitting is available with Remote Mounting Code R only. It is provided when conduit is used to enclose the cable between the flowtube body and remote transmitter. Both ends of the fitting are 1/2 NPT and interconnect the conduit and transmitter at the housing and flowtube ends. Specify Option -T.

AS Code MTS: Stainless Steel Customer Tag Accessory

A 1.5 x 3.5 in (40 x 90 mm) stainless steel tag for customer data that does not fit on the standard plate. It is fastened to housing with wire. Accommodates 10 lines of data with 40 characters/spaces per line. Tag will also show customer's K-factor (information with flowing conditions being submitted to Invensys with sales order). Specify AS Code MTS.

Bolting Kits – With Wafer Body Flowtubes Only

Sets of carbon steel studs and nuts which conform to line size, and ANSI or DIN size and rating, are offered in 3/4 to 4 in line sizes for ANSI flanges, and DN 50 to DN 100 mm line sizes for DIN flanges. Refer to the following tables to select the kit and part number required.

Table 4. ANSI Flange Bolting Kit Part Numbers

Size	Cl. 150	Cl. 300	Cl. 600
3/4 in	D0148ZF	D0148ZJ	D0148ZJ
1 in	D0148ZF	D0148ZJ	D0148ZJ
1 1/2 in	D0148ZF	D0148ZK	D0148ZS
2 in	A2044HB	A2044HB (a)	A2044HC (a)
3 in	A2044HC	A2044HD	A2044HD
4 in	A2044HC (a)	A2044HD	A2044HE

(a) Two kits required.

Table 5. Metric Flange Bolting Kit Part Numbers

Size	PN 16	PN 40	PN 64	PN 100
DN 50	N/A	D0148ZU	N/A	N/A
DN 80	N/A	D0148ZZ (a)	N/A	N/A
DN 100	L0114NT	L0114NT	N/A	N/A

(a) Two kits required.

MODEL CODE - 84F (FLANGED BODY) VORTEX FLOWMETER

Description	Model
Intelligent Vortex Flowmeter – Flanged Body	84F
Electronics Version	
Intelligent Electronics, HART Communication Protocol, with Pulse Output	-T
Intelligent Electronics, HART Communication Protocol, without Pulse Output	-U
Nominal Line Size	
3/4 in (DN 15) Line Size	3Q
1 in (DN 25) Line Size	01
1 1/2 in (DN 40) Line Size	1H
2 in (DN 50) Line Size	02
3 in (DN 80) Line Size	03
4 in (DN 100) Line Size	04
6 in (DN 150) Line Size	06
8 in (DN 200) Line Size	08
10 in (DN 250) Line Size	10
12 in (DN 300) Line Size	12
Body, Flange, and Shedder Bar Material	
Sizes 3Q to 04; Cast Body/Flange and Shedder (except Code 04S1); CF8M Material. Size 04S1; Fabricated from 316 ss Tubing and Flanges.	S
Sizes 06 to 12; Body Fabricated from 304 ss Tubing with 304 ss Flanges. Sizes 06 to 12; Body Fabricated from 304 ss Tubing with carbon steel (A105) Flanges.	K
End Connections and Flange Rating	
Description	Used with Line Sizes
ANSI Class 150 Flange, ASME B16.5	All line sizes
ANSI Class 300 Flange, ASME B16.5	All line sizes
ANSI Class 600 Flange, ASME B16.5	3Q through 08 only
Metric PN 16 Flange, EN1092-1, RF, Type D Nut Groove	06 through 12 only
	1
	2
	3
	5

MODEL CODE - 84F (FLANGED BODY) VORTEX FLOWMETER (CONTINUED)

Description	Model
Metric PN 40 Flange, EN1092-1, RF, Type D Nut Groove	3Q through 08 only 6
Metric PN 63 Flange, EN1092-1, RF, Type D Nut Groove	02 through 12 only (a) 7
Metric PN 100 Flange, EN1092-1, RF, Type D Nut Groove	3Q through 08 only 8
Metric PN 16 Flange, EN1092-1, RF, Finish Type B1	06 through 12 only D
Metric PN 40 Flange, EN1092-1, RF, Finish Type B1	All line sizes F
Metric PN 63 Flange, EN1092-1, RF, Finish Type B2	02 through 12 only (b) G
Metric PN 100 Flange, EN1092-1, RF, Finish Type B2	3Q through 08 only H
Single or Dual Measurement; Isolation Valve and Manifold	
Single Measurement; No Isolation Valve	S
Dual Measurement; Manifold with no Isolation Valves	D
Single Measurement; Manifold with one Isolation Valve; CF8M Stainless Steel	K
Dual Measurement; Manifold with two Isolation Valves; CF8M Stainless Steel	L
Sensor Fill, Temperature Range, and Material	
Standard Temperature Range (with Fill Fluid)	
Fluorolube Fill, 0 to 200°F (-20 to +90°C), Nickel Alloy CW2M (equivalent to Hastelloy® C-4C)	D
Fluorolube Fill, 0 to 200°F (-20 to +90°C), Stainless Steel Type CF3M	F
Silicone Fill, 0 to 400°F (-20 to +200°C), Nickel Alloy CW2M (equivalent to Hastelloy® C-4C)	R
Silicone Fill, 0 to 400°F (-20 to +200°C), Stainless Steel Type CF3M	S
Extended Temperature Range (No Fill Fluid)	
Unfilled, 400 to 800°F (200 to 430°C), Nickel Alloy CW2M (equivalent to Hastelloy® C-4C) (c)	C
Unfilled, 400 to 800°F (200 to 430°C), Stainless Steel Type CF3M (c)	T
Electronics Housing Mounting, Material, and Conduit Connections	
Mounted to Flowtube; Aluminum Housing; 1/2 NPT Conduit Connections	T
Mounted to Flowtube; Aluminum Housing; M20 Conduit Connections	V
Remote Mounted; Aluminum Housing; 1/2 NPT Conduit Connections (d)	R
Remote Mounted; Aluminum Housing; M20 Conduit Connections (d)	W
Local Digital Indicator/Configurator	
No Digital Indicator/Configurator	N
Full Function Digital Indicator/Configurator	J
Electrical Safety (refer to Electrical Safety Specifications section for details)	
ATEX intrinsically Safe	E
ATEX flameproof	H
CSA intrinsically safe	C
CSA Division 2	M
CSA explosionproof	D
FM intrinsically safe	F
FM nonincendive	K
FM explosionproof	G
IECEX intrinsically safe	L
IECEX flameproof	B
NEPSI intrinsically safe	R
NEPSI flameproof	S
No Agency Electrical Certifications; with CE mark, PED Controls and Records	Y
No Agency Certifications; no CE mark; Units not to be installed in European Union (EU) countries	Z
Optional Selections	
Cable Length Selection for Remote Electronics Housing	
20 ft (6 m) Cable to Connect to Remote Electronics Housing	-B
30 ft (9 m) Cable to Connect to Remote Electronics Housing	-D
40 ft (12 m) Cable to Connect to Remote Electronics Housing	-E

MODEL CODE - 84F (FLANGED BODY) VORTEX FLOWMETER (CONTINUED)

Description	Model
50 ft (15 m) Cable to Connect to Remote Electronics Housing	-G
Cleaning - Oxygen/Chlorine Service Cleaning of Process Wetted Parts per Compressed Gas Association's CGA G-4.1 and ASTM G93 <ul style="list-style-type: none"> ▶ Available only with Body/Flange/Sheeder Material Code S ▶ Not available for Sizes -10 and -12 or with Isolation Valve Codes D, K, and L ▶ Not available with Extended Temperature Codes C and T 	-H
Sensor Plating Gold Plated Sensor	-J
Foxboro Certificates of Compliance/Conformance Standard Certificate of Compliance	-L
Foxboro Material Certification of Process Wetted Metal (Conforms to BS EN 10204 3.1)	-M
Process Wetted Parts Comply with NACE Standards MR-0175-2003 and MR-0103-2007	-Q
Foxboro Calibration Certificate Calibration and Pressure Test Certified Copy	-N
Cable Connectors – with Electronics Housing Codes T and R only (1/2 NPT) Hawke-Type Cable Gland (available only with electrical safety codes Y and Z)	-P
PG11 Cable Gland, Trumpet Shaped (not with explosionproof/flameproof certifications)	-R
Conduit Fitting Adapter for use with 1/2 NPT conduit (Available with Remote Mounted Housing Code R only)	-T
Welding Certificate (Size Codes 06 through 12 only) Welding Certified to ASME Boiler Code (e)	-F
Radiographic Examination (X-Ray) of Flange Welds (e)	-V
Welding Certified to ASME Boiler and Radiographic Examination (X-Ray) of Flange Welds (f)	-X
Instruction Manual Detailed Instruction Manual in place of Universal MI 019-145	-C
Examples: 84F-T02S1SDTNK-M; 84F-T06K7DCRJD-GQNT	

- (a) For 3Q, 01, and 1H line sizes, select End Connection Code 8.
- (b) For 3Q, 01, and 1H line sizes, select End Connection Code H.
- (c) Application ALERT: For Extended Temperature Range sensors used in hazardous or volatile gas applications, there is the potential of fugitive emissions to occur through the sensor vented restrictor if the sensor diaphragm were to fail.
- (d) With remote mounted electronics housing, you must also select Optional Cable Length -B, -D, -E, or -G.
- (e) Not available with End Connection Codes 1, 5, and D for 6 and 8 inch sizes.
- (f) Not available with End Connection Codes 1 and 5 for 6 and 8 inch sizes.

MODEL CODE - 84W (WAFER BODY) VORTEX FLOWMETER

Description	Model																											
Intelligent Vortex Flowmeter – Wafer Body	84W																											
Electronics Type																												
Intelligent Electronics, HART Communication Protocol, with Pulse Output	-T																											
Intelligent Electronics, HART Communication Protocol, without Pulse Output	-U																											
Nominal Line Size																												
3/4 in (DN 15) Line Size	3Q																											
1 in (DN 25) Line Size	01																											
1 1/2 in (DN 40) Line Size	1H																											
2 in (DN 50) Line Size	02																											
3 in (DN 80) Line Size	03																											
4 in (DN 100) Line Size	04																											
6 in (DN 150) Line Size	06																											
8 in (DN 200) Line Size	08																											
Body and Shedder Bar Material																												
ASTM A351-CF8M (316 ss) Cast Body and Shedder	S																											
ASTM A494-CW2M Nickel Alloy (equivalent to Hastelloy® C-4C) Cast Body and Shedder; with Size Codes 3Q to 04 only	H																											
Mounting and Centering System																												
<table border="0"> <thead> <tr> <th data-bbox="199 1001 829 1026">Description</th> <th data-bbox="846 1001 1279 1026">Used with Line Sizes</th> <th data-bbox="1284 1001 1391 1026"></th> </tr> </thead> <tbody> <tr> <td data-bbox="199 1029 829 1054">Centering for ANSI Class 150, 300, and 600 Flanges</td> <td data-bbox="846 1029 1279 1054">3Q through 04 only</td> <td data-bbox="1284 1029 1391 1054">1</td> </tr> <tr> <td data-bbox="199 1056 829 1081">Centering for Metric PN 16 Flange</td> <td data-bbox="846 1056 1279 1081">01 through 03 only</td> <td data-bbox="1284 1056 1391 1081"></td> </tr> <tr> <td data-bbox="199 1083 829 1108">Centering for Metric PN 40 Flange</td> <td data-bbox="846 1083 1279 1108">01 through 03 and 06 and 08 only</td> <td data-bbox="1284 1083 1391 1108"></td> </tr> <tr> <td data-bbox="199 1110 829 1136">Centering for Metric PN 63 and PN 100 Flanges</td> <td data-bbox="846 1110 1279 1136">All line sizes</td> <td data-bbox="1284 1110 1391 1136"></td> </tr> <tr> <td data-bbox="199 1138 829 1163">Centering for ANSI Class 600 Flange</td> <td data-bbox="846 1138 1279 1163">06 and 08 only</td> <td data-bbox="1284 1138 1391 1163">3</td> </tr> <tr> <td data-bbox="199 1165 829 1190">Centering for Metric PN 16 Flange</td> <td data-bbox="846 1165 1279 1190">04, 06, and 08 only</td> <td data-bbox="1284 1165 1391 1190">4</td> </tr> <tr> <td data-bbox="199 1192 829 1218">Centering for Metric PN 40 Flange</td> <td data-bbox="846 1192 1279 1218">04 only</td> <td data-bbox="1284 1192 1391 1218">5</td> </tr> <tr> <td data-bbox="199 1220 829 1245">Centering for Metric PN 16 and PN 40 Flanges</td> <td data-bbox="846 1220 1279 1245">Size 3Q only</td> <td data-bbox="1284 1220 1391 1245">9</td> </tr> </tbody> </table>	Description	Used with Line Sizes		Centering for ANSI Class 150, 300, and 600 Flanges	3Q through 04 only	1	Centering for Metric PN 16 Flange	01 through 03 only		Centering for Metric PN 40 Flange	01 through 03 and 06 and 08 only		Centering for Metric PN 63 and PN 100 Flanges	All line sizes		Centering for ANSI Class 600 Flange	06 and 08 only	3	Centering for Metric PN 16 Flange	04, 06, and 08 only	4	Centering for Metric PN 40 Flange	04 only	5	Centering for Metric PN 16 and PN 40 Flanges	Size 3Q only	9	
Description	Used with Line Sizes																											
Centering for ANSI Class 150, 300, and 600 Flanges	3Q through 04 only	1																										
Centering for Metric PN 16 Flange	01 through 03 only																											
Centering for Metric PN 40 Flange	01 through 03 and 06 and 08 only																											
Centering for Metric PN 63 and PN 100 Flanges	All line sizes																											
Centering for ANSI Class 600 Flange	06 and 08 only	3																										
Centering for Metric PN 16 Flange	04, 06, and 08 only	4																										
Centering for Metric PN 40 Flange	04 only	5																										
Centering for Metric PN 16 and PN 40 Flanges	Size 3Q only	9																										
Isolation Valve and Manifold																												
No Isolation Valve or Manifold	S																											
Manifold with Isolation Valve, ASTM A 351-CF8M Stainless Steel (316 ss)	K																											
Sensor Fill, Temperature Range, and Material																												
Standard Temperature Range (with Fill Fluid)																												
Fluorolube Fill, 0 to 200°F (-20 to +90°C), Nickel Alloy CW2M (equivalent to Hastelloy® C-4C)	D																											
Fluorolube Fill, 0 to 200°F (-20 to +90°C), Stainless Steel Type CF3M	F																											
Silicone Fill, 0 to 400°F (-20 to +200°C), Nickel Alloy CW2M (equivalent to Hastelloy® C-4C)	R																											
Silicone Fill, 0 to 400°F (-20 to +200°C), Stainless Steel Type CF3M	S																											
Extended Temperature Range (No Fill Fluid)																												
Unfilled, 400 to 800°F (200 to 430°C), Nickel Alloy CW2M (equivalent to Hastelloy® C-4C) (a)	C																											
Unfilled, 400 to 800°F (200 to 430°C), Stainless Steel Type CF3M (a)	T																											
Electronics Housing Mounting, Material, and Conduit Connections																												
Integrally Mounted to Flowtube; Aluminum Housing, 1/2 NPT Conduit Connection	T																											
Integrally Mounted to Flowtube; Aluminum Housing, M20 Conduit Connection	V																											
Remote Mounted; Aluminum Housing, 1/2 NPT Conduit Connection (b)	R																											
Remote Mounted; Aluminum Housing, M20 Conduit Connection (b)	W																											
Local Digital Indicator/Configurator																												
No Digital Indicator/Configurator	N																											
Full Function Digital Indicator/Configurator	J																											

MODEL CODE - 84W (WAFER BODY) VORTEX FLOWMETER (CONTINUED)

<u>Description</u>	<u>Model</u>
Electrical Safety (refer to Electrical Safety Specifications section for details)	
ATEX intrinsically Safe	E
ATEX flameproof	H
CSA intrinsically safe	C
CSA Division 2	M
CSA explosionproof	D
FM intrinsically safe	F
FM nonincendive	K
FM explosionproof	G
IECEX intrinsically safe	L
IECEX flameproof	B
NEPSI intrinsically safe	R
NEPSI flameproof	S
No Agency Electrical Certifications; with CE mark, PED Controls and Records	Y
No Agency Certifications; no CE mark; Units not to be installed in European Union (EU) countries	Z
Optional Selections	
Cable Length Selection for Remote Electronics Housing	
20 ft (6 m) Cable to Connect to Remote Electronics Housing	-B
30 ft (9 m) Cable to Connect to Remote Electronics Housing	-D
40 ft (12 m) Cable to Connect to Remote Electronics Housing	-E
50 ft (15 m) Cable to Connect to Remote Electronics Housing	-G
Cleaning - Oxygen/Chlorine Service	
Cleaning of Process Wetted Parts per Compressed Gas Association's CGA G-4.1 and ASTM G93 Not available with Isolation Valve Code K, or Sensor Codes C and T	-H
Sensor Plating	
Gold Plated Sensor	-J
Foxboro Certificates of Compliance/Conformance	
Standard Certificate of Compliance	-L
Material Certification of Process Wetted Metal (Conforms to BS EN 10204 3.1)	-M
Process Wetted Parts Comply with NACE Standards MR-0175-2003 and MR-0103-2007	-Q
Foxboro Calibration Certificate	
Calibration and Pressure Test Certified Copy	-N
Cable Connectors – with Electronics Housing Codes T and R only (1/2 NPT)	
Hawke-Type Cable Gland (available only with electrical safety codes Y and Z)	-P
PG11 Cable Gland, Trumpet Shaped (not with explosionproof/flameproof certifications)	-R
Conduit Fitting	
Adapter for use with 1/2 NPT conduit (Available with Remote Mounted Housing Code R only)	-T
Instruction Manual	
Detailed Instruction Manual in place of Universal MI 019-145	-C
Examples: 84W-T02S1SRRJF-D; 84W-U04H4SRTNF-CL	

- (a) Application ALERT: For Extended Temperature Range sensors used in hazardous or volatile gas applications, there is the potential of fugitive emissions to occur through the sensor vented restrictor if the sensor diaphragm were to fail.
- (b) With remote mounted electronics housing, you must also select Optional Cable Length -B, -D, E, or -G.

SUGGESTED RFQ SPECIFICATIONS

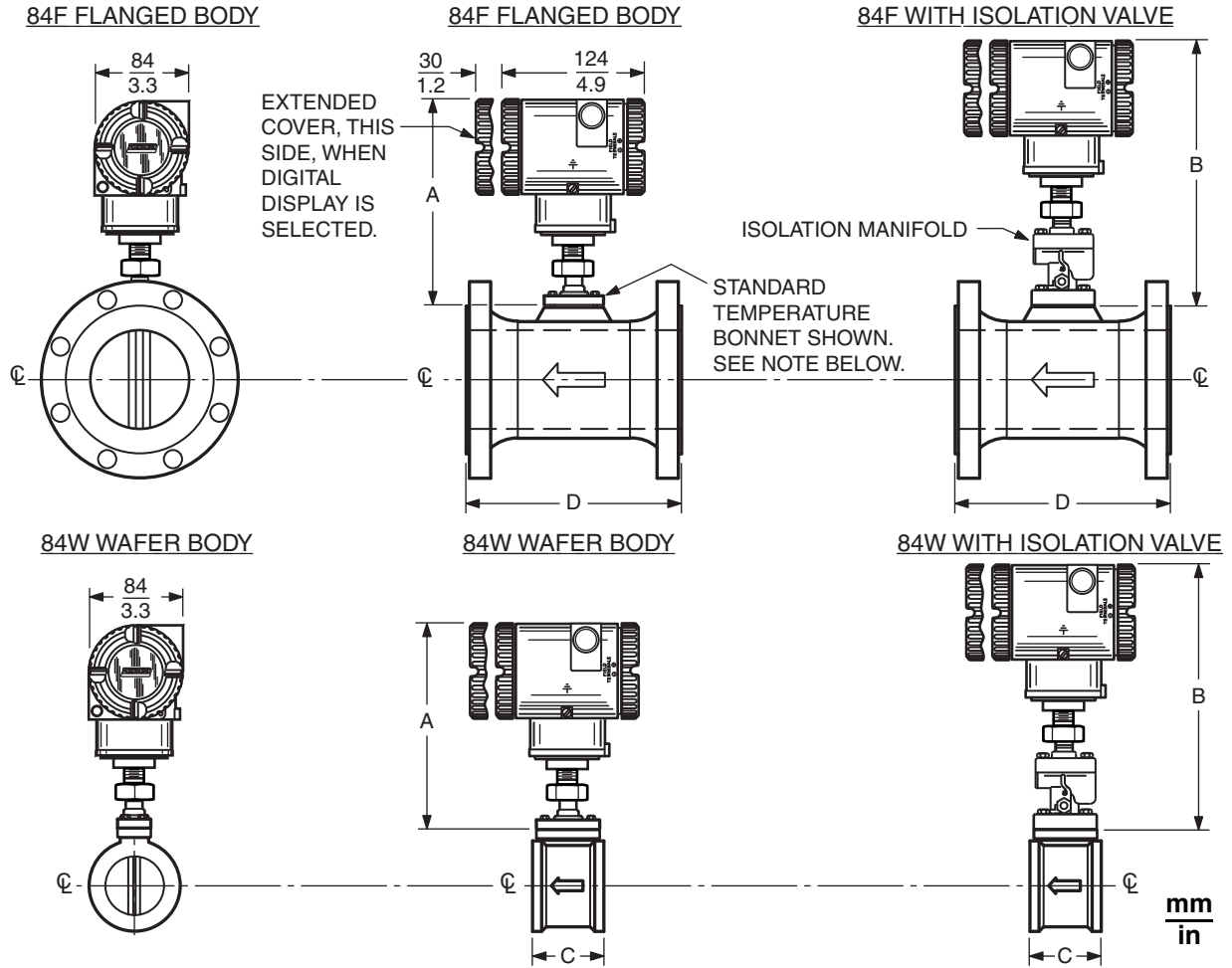
The manufacturer shall provide field-mounted vortex flowmeters featuring digital signal processing techniques capable of accurately measuring liquid, gas, or steam flows. The specifications for these meters are as follows:

Communication Protocol:	HART
Outputs:	Analog (4 to 20 mA) and digital, with or without pulse output.
Remote Communications:	Direct digital with HART Multidrop.
Configuration:	Can be configured from the LCD indicator, HART communicator, or PC-based configurator.
Accuracy:	0.5% of reading in liquids, 1.0% of reading in gas and steam.
Internal Flow Totalizer:	Standard.
Sensor:	Replaceable without meter recalibration required.
EMI and RFI:	Meets the EMI and RFI requirements for EN 61326-1
Voltage Supply:	2-wire 24 V dc loop powered.
Mounting:	Electronics to accommodate integral or remote mounting.
Housing:	Remote mounted transmitter aluminum housing with epoxy finish, optional flameproof housing.
Electronics:	Enclosed in a NEMA 4X/IP66 rated housing sealed with O-rings for protection against moisture or other contaminants, optional integral LCD indicator with on-board configuration pushbuttons.
Body and Shedder Bar Materials:	316 or 304 stainless steel, or nickel alloy CW2M (equivalent to Hastelloy® C-4C).
Flowmeter Sizing:	Sizing tools with free web site access at www.FlowExpertPro.com .
Electrical Classification:	Refer to Electrical Safety Specifications table.
Model Code:	Models 84F or 84W Series Vortex Flowmeters, or equivalent.

DIMENSIONS - NOMINAL

DIMENSIONS - NOMINAL

84F (FLANGED) AND 84W (WAFER BODY) FLOWMETERS: INTEGRAL MOUNT; SINGLE MEASUREMENT



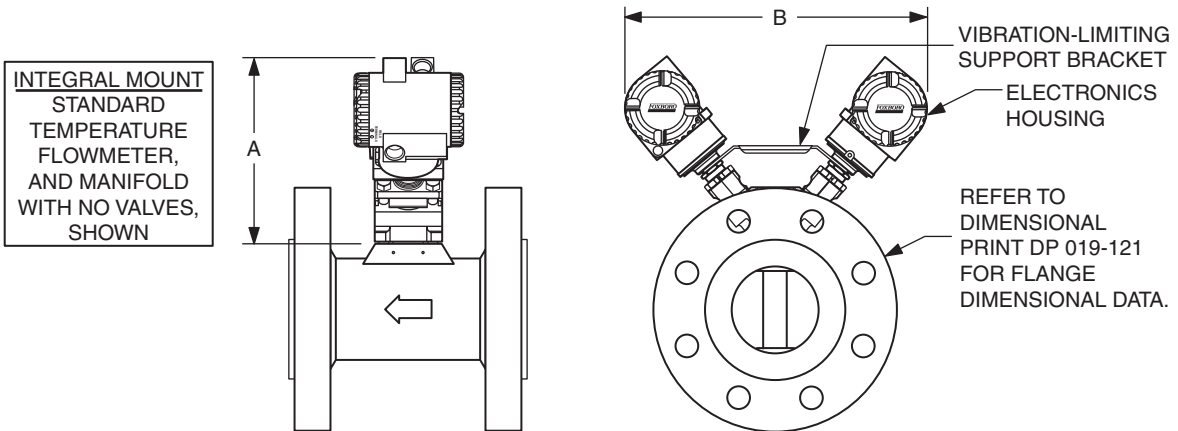
Dimension	Dimensions - Nominal Line Size Code (a)									
	3Q	01	1H	02	03	04	06	08	10 (b)	12 (b)
A (c)	$\frac{173}{6.8}$	$\frac{173}{6.8}$	$\frac{173}{6.8}$	$\frac{173}{6.8}$	$\frac{173}{6.8}$	$\frac{173}{6.8}$	$\frac{173}{6.8}$	$\frac{173}{6.8}$	$\frac{173}{6.8}$	$\frac{173}{6.8}$
B (c)	$\frac{269}{10.6}$	$\frac{269}{10.6}$	$\frac{269}{10.6}$	$\frac{269}{10.6}$	$\frac{269}{10.6}$	$\frac{269}{10.6}$	$\frac{269}{10.6}$	$\frac{269}{10.6}$	$\frac{269}{10.6}$	$\frac{269}{10.6}$
C	$\frac{79.5}{3.13}$	$\frac{79.5}{3.13}$	$\frac{79.5}{3.13}$	$\frac{79.5}{3.13}$	$\frac{95.3}{3.75}$	$\frac{120.7}{4.75}$	$\frac{177.8}{7.00}$	$\frac{228.6}{9.00}$	N/A	N/A
D	Dimension D varies with flange type, rating, and size used. See Table 6 for dimensions.									

(a) Refer to Model Code section for sizes. Also refer to DP 019-120 for 84F dimensions, and DP 019-122 for 84W dimensions.

(b) Size Codes 10 and 12 are not available with wafer body flowtubes.

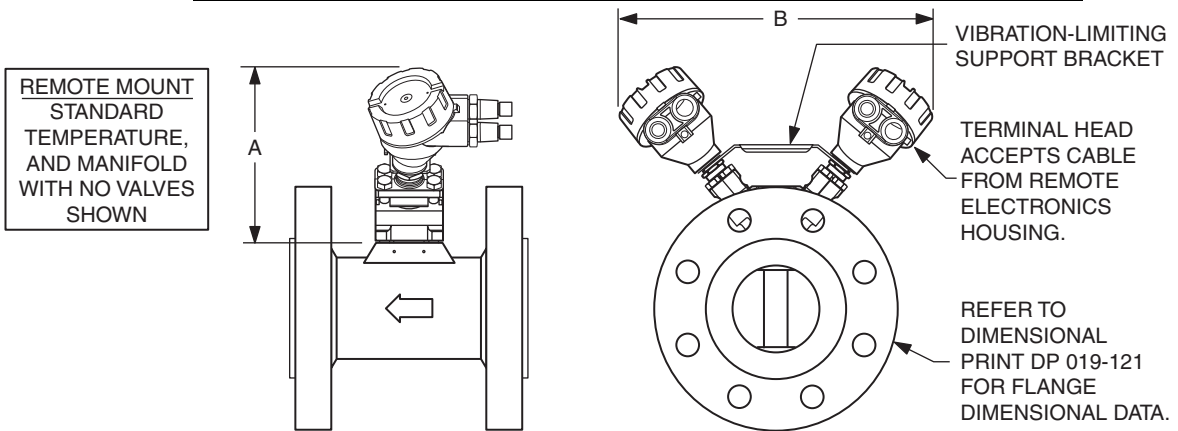
(c) Dimensions A and B are shown with the standard temperature bonnet. A longer bonnet is used in extended temperature applications; when this selection is made, add 3.6 in (91.4 mm) to Dimensions A and B.

84F FLANGED FLOWMETER; INTEGRAL MOUNT; DUAL MEASUREMENT



Dimension	Standard Temperature Flowmeter		Extended Temperature Flowmeter	
	No Isolation Valves	With Isolation Valves	No Isolation Valves	With Isolation Valves
A	7.8 in (199 mm)	8.9 in (226 mm)	11.3 in (287 mm)	12.0 in (306 mm)
B	13.9 in (353 mm)	14.3 in (363 mm)	19.7 in (500 mm)	20.7 in (526 mm)

84F FLANGED FLOWMETER; REMOTE MOUNT; DUAL MEASUREMENT

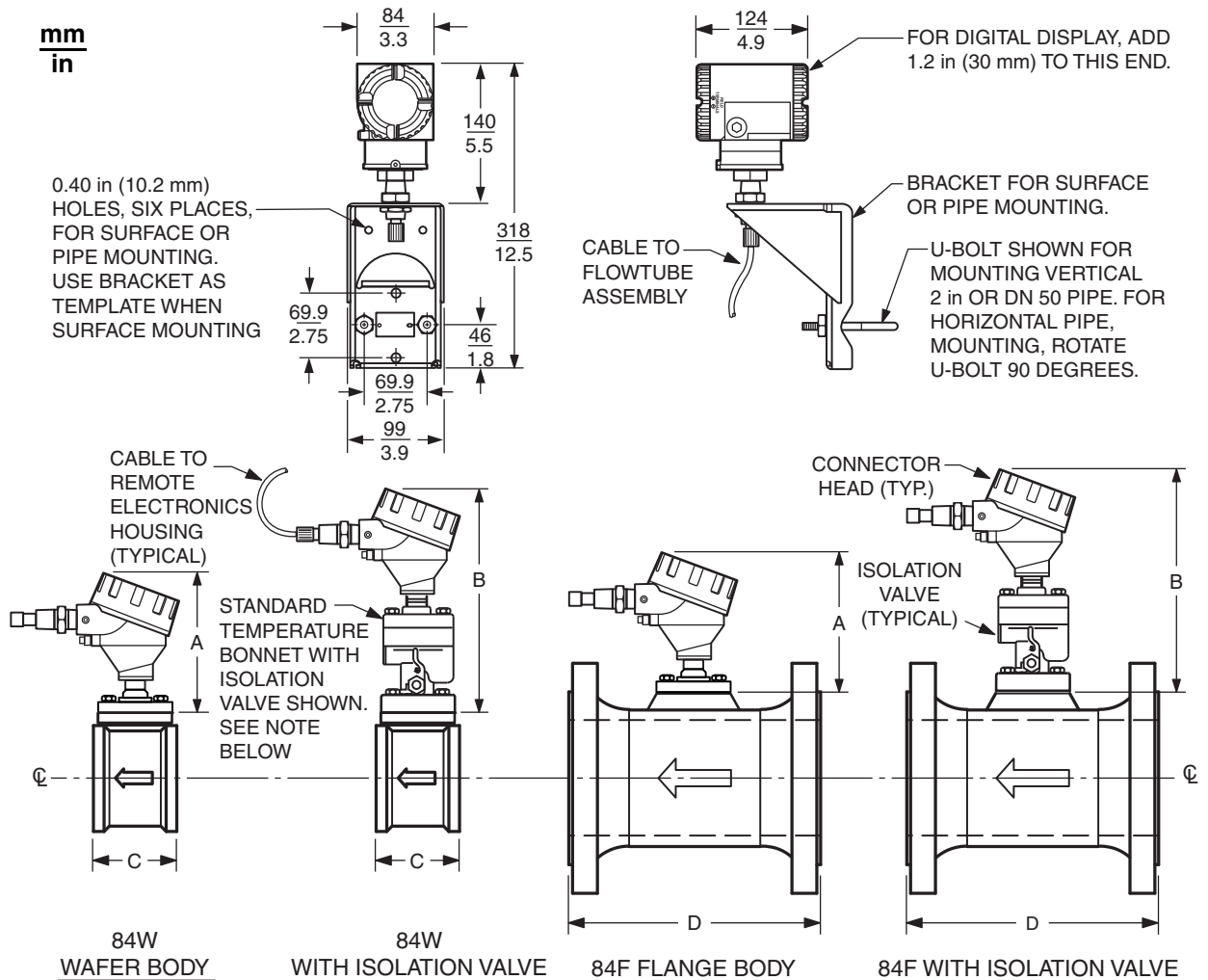


Dimension	Standard Temperature Flowmeter		Extended Temperature Flowmeter	
	No Isolation Valves	With Isolation Valves	No Isolation Valves	With Isolation Valves
A	7.0 in (178 mm)	8.9 in (226 mm)	11.3 in (287 mm)	12.0 in (306 mm)
B	13.9 in (353 mm)	14.3 in (363 mm)	19.7 in (500 mm)	20.7 in (526 mm)

NOTE: Refer to DP 019-121 for further dimensions.

DIMENSIONS - NOMINAL

84F (FLANGED) AND 84W (WAFER BODY) FLOWMETERS WITH REMOTE MOUNTED ELECTRONICS



Dimension	Dimensions - Nominal Line Size Code (a)									
	3Q	01	1H	02	03	04	06	08	10 (b)	12 (b)
A (c)	$\frac{173}{6.8}$	$\frac{173}{6.8}$	$\frac{173}{6.8}$	$\frac{173}{6.8}$	$\frac{173}{6.8}$	$\frac{173}{6.8}$	$\frac{173}{6.8}$	$\frac{173}{6.8}$	$\frac{173}{6.8}$	$\frac{173}{6.8}$
B (c)	$\frac{269}{10.6}$	$\frac{269}{10.6}$	$\frac{269}{10.6}$	$\frac{269}{10.6}$	$\frac{269}{10.6}$	$\frac{269}{10.6}$	$\frac{269}{10.6}$	$\frac{269}{10.6}$	$\frac{269}{10.6}$	$\frac{269}{10.6}$
C (d)	$\frac{79.5}{3.13}$	$\frac{79.5}{3.13}$	$\frac{79.5}{3.13}$	$\frac{79.5}{3.13}$	$\frac{95.3}{3.75}$	$\frac{120.7}{4.75}$	$\frac{177.8}{7.00}$	$\frac{228.6}{9.00}$	N/A	N/A
D (d)	Dimension D varies with flange type, rating, and size used. See Table 6 for dimensions.									

- (a) Refer to Model Code section for sizes. Also refer to DP 019-120 for 84F dimensions, and DP 019-122 for 84W dimensions.
- (b) Size Codes 10 and 12 are not available with wafer body flowtubes.
- (c) Dimensions A and B are shown with the standard temperature bonnet. A longer bonnet is used in extended temperature applications. When this selection is made, add 3.6 in (91.4 mm) to Dimensions A and B.
- (d) Dimensions C and D are face-to-face dimensions.

Table 6. Dimension “D”

ANSI Flanges per ASME B16.5			Metric Flanges per EN 1092-1		
Line Size	Flange Rating	Dimension “D” (a)	Line Size	Flange Rating	Dimension “D” (b)
3/4 in	Class 150	6.00 in	DN 15	PN 40	152 mm
	Class 300	6.00 in		PN 100	160 mm
	Class 600	6.50 in	DN 25	PN 40	166 mm
1 in	Class 150	6.50 in		PN 100	178 mm
	Class 300	6.50 in	DN 40	PN 40	179 mm
	Class 600	7.00 in		PN 100	199 mm
1 1/2 in	Class 150	7.25 in	DN 50	PN 40 (c)	193 mm
	Class 300	7.25 in		PN 63	202 mm
	Class 600	7.88 in		PN 100	211 mm
2 in	Class 150	7.75 in	DN 80	PN 40 (c)	220 mm
	Class 300	7.75 in		PN 63	230 mm
	Class 600	8.50 in		PN 100	242 mm
3 in	Class 150	8.75 in	DN 100	PN 40	240 mm
	Class 300	8.75 in		PN 63	250 mm
	Class 600	9.50 in		PN 100	268 mm
4 in	Class 150	9.50 in	DN 150	PN 16	305 mm
	Class 300	9.50 in		PN 40	320 mm
	Class 600	10.50 in		PN 63	360 mm
6 in	Class 150	12.00 in	DN 200	PN 100	360 mm
	Class 300	12.75 in		PN 16	381 mm
	Class 600	14.75 in		PN 40	396 mm
8 in	Class 150	15.00 in	DN 250	PN 63	443 mm
	Class 300	15.75 in		PN 100	443 mm
	Class 600	18.00 in		PN 16	316 mm
10 in	Class 150	15.00 in	DN 300	PN 40	408 mm
	Class 300	16.20 in		PN 63	481 mm
12 in	Class 150	17.00 in		PN 16	358 mm
	Class 300	18.20 in	PN 40	461 mm	
				PN 63	513 mm

- (a) For 3/4 to 4 in sizes, overall face-to-face length (D) tolerance is ±0.11 in.
For 6 to 12 in sizes, overall face-to-face length (D) tolerance is ±0.250 in.
- (b) For DN 15 to DN 100 sizes, overall face-to-face length (D) tolerance is ±2.8 mm.
For DN 150 to DN 300 sizes, overall face-to-face length (D) tolerance is ±6.4 mm.
- (c) May be used with PN 25 mating flange.

ORDERING INSTRUCTIONS

1. Model Number.
2. Flow Data:
 - a. Maximum, minimum, and normal flow rate.
 - b. Fluid composition and viscosity at operating temperatures.
 - c. Fluid density or relative density (specific gravity).
 - d. Maximum, minimum, and normal operating temperatures.
 - e. Maximum, minimum, and normal operating pressures.
 - f. Mating pipe schedule.
 - g. Type and location (distance) of upstream disturbances.
3. Calibration Information (analog output only); maximum flow rate at 20 mA output.
4. Electrical Classification.
5. Optional Selections and Accessories
Select from Model Code or "Optional Selections and Accessories" section
6. Customer Tag Data.

OTHER M&I PRODUCTS

Invensys provides a broad range of measurement and instrument products, including solutions for pressure, flow, analytical, positioners, temperature, controlling and recording. For a listing of these offerings, visit the Invensys Operations Management web site at:

www.iom.invensys.com

Invensys Operations Management
5601 Granite Parkway Suite 1000
Plano, TX 75024
United States of America
<http://iom.invensys.com>

Invensys, Foxboro, I/A Series, ActiveTuning,
DirectSense, and *FlowExpertPro* are trademarks of
Invensys plc, its subsidiaries, and affiliates.
All other brand names may be trademarks of their
respective owners.

Global Customer Support
Inside U.S.: 1-866-746-6477
Outside U.S.: 1-508-549-2424 or contact
your local Invensys representative.
Website: <http://support.ips.invensys.com>

Copyright 2006-2013 Invensys Systems, Inc.
All rights reserved

i n v e n s y s[™]

MB 010

0413