

SPECIFICATIONS

FLUID	: air or neutral gas, filtered, lubricated (G 3/8) or not (G 1/4)
PORTS	: G 1/4 - G 3/8
PRESSURE	: 0 to 10 bar
TEMPERATURE	: -25°C to +60°C
FLOW (Qv at 6 bar)	: See table below

CONSTRUCTION

series 551

Environmentally-protected construction
Body G 1/4, treated aluminium
Internal parts: zinc diecasting, steel, stainless steel, acetal (POM)
Sealings: nitrile (NBR) and polyurethane (PUR)

series 552

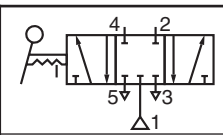
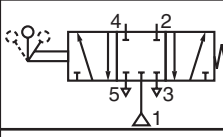
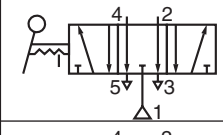
Body G 3/8, in light alloy
Internal parts: stainless steel, light alloy
Sealings: nitrile (NBR)



1 = Pressure
2,4 = Outlets
3,5 = Exhausts

CHOICE OF EQUIPMENT

[Configurator - CAD Files](#)

	Symbols functions	Operators	Ø ports	Flow at 6 bar l/min (ANR)	CODES
5/3 closed position (W1)		Lever 3 positions detented (W1)	G 1/4	760	55102096
			G 3/8	1610	55200038
		Lever 3 positions spring to centre (W1)	G 1/4	760	55102097
			G 3/8	1610	55200039
5/3 open position to exhaust (W3)		Lever 3 positions detented (W3)	G 1/4	760	55102098
		Lever 3 positions spring to centre (W3)	G 1/4	760	55102099

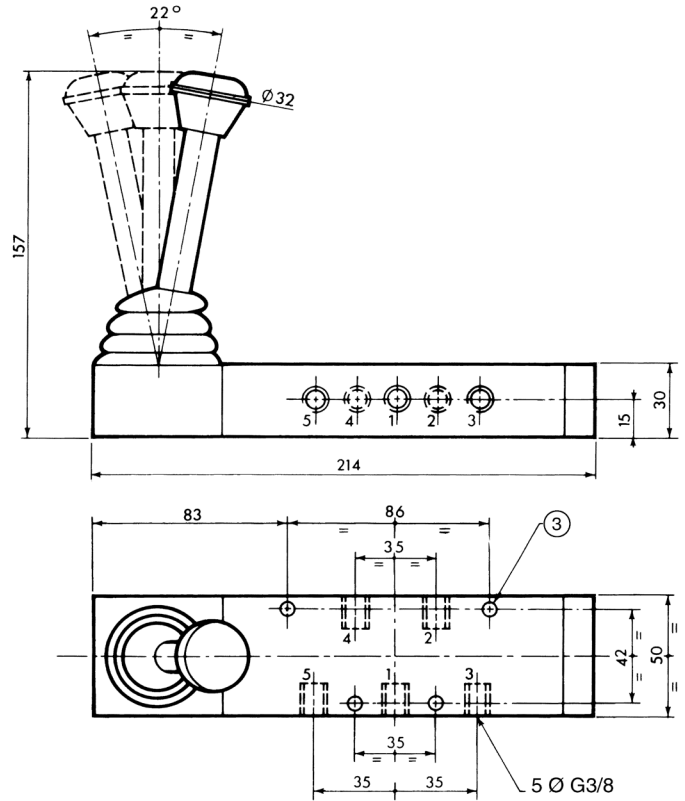
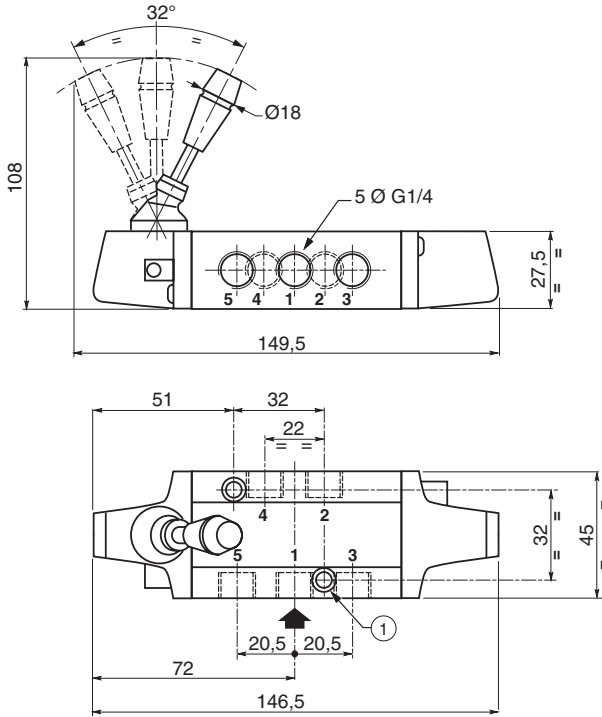
DIMENSIONS AND WEIGHTS

VALVE LEVER OPERATED

Series 551: ports G 1/4
Weight: 0,510 kg

Series 552 : ports G 3/8
Weight: 0,900 kg

[Configurator - CAD Files](#)



- ① 2 fixing holes: Ø 5,3 - counterbore : Ø 9, dept 5
- ② 4 fixing holes: Ø 5,5