

## SPECIFICATIONS

FLUID	: air or neutral gas, filtered, lubricated (G 3/8) or not (G 1/4)
PORTS	: G 1/4 - G 3/8
PRESSURE	: 0 to 10 bar
TEMPERATURE	: -25°C to +60°C
FLOW (Qv at 6 bar)	: see table below

## CONSTRUCTION

### series 551

Environmentally-protected construction  
Body G 1/4, treated aluminium  
Internal parts: zinc diecasting, steel, stainless steel, acetal (POM)  
Sealings: nitrile (NBR) and polyurethane (PUR)

### series 552

Body G 3/8, in light alloy  
Internal parts: stainless steel, light alloy  
Sealings: nitrile (NBR)



1	= Pressure
2,4	= Outlets
3,5	= Exhausts

## CHOICE OF EQUIPMENT

[Configurator - CAD Files](#)

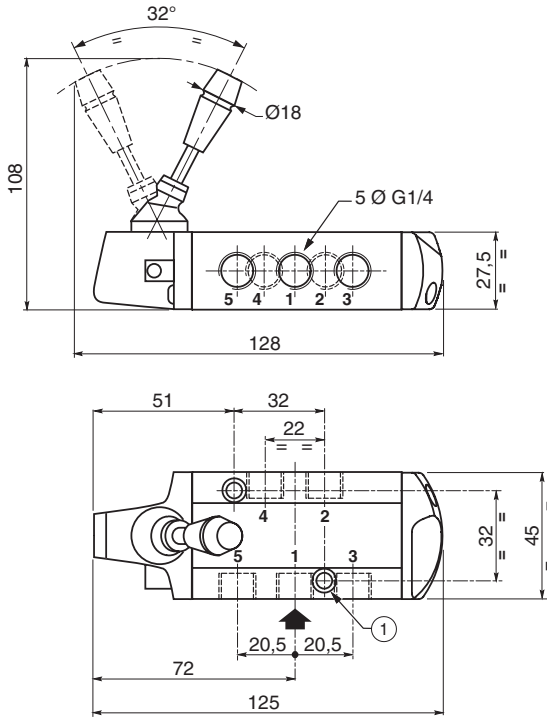
Symbols functions	Operators		Ø ports	Flow at 6 bar l/min (ANR)	CODES
	Pilot	Return			
<b>LEVER OPERATED</b>					
	Lever - Lever detented		G 1/4	860	55102092
	Lever 2 positions		G 3/8	1610	55200036
	Lever	Spring	G 1/4	860	55102093
			G 3/8	1610	55200037
<b>PEDAL OPERATED</b>					
	Pedal 2 positions		G 1/4	860	55102094
	Pedal	Spring	G 1/4	860	55102095
<b>BUTTON OPERATED</b>					
	Buton	Spring	G 1/4	860	55102085
	Button push-pull		G 1/4	860	55102086

**DIMENSIONS AND WEIGHTS**

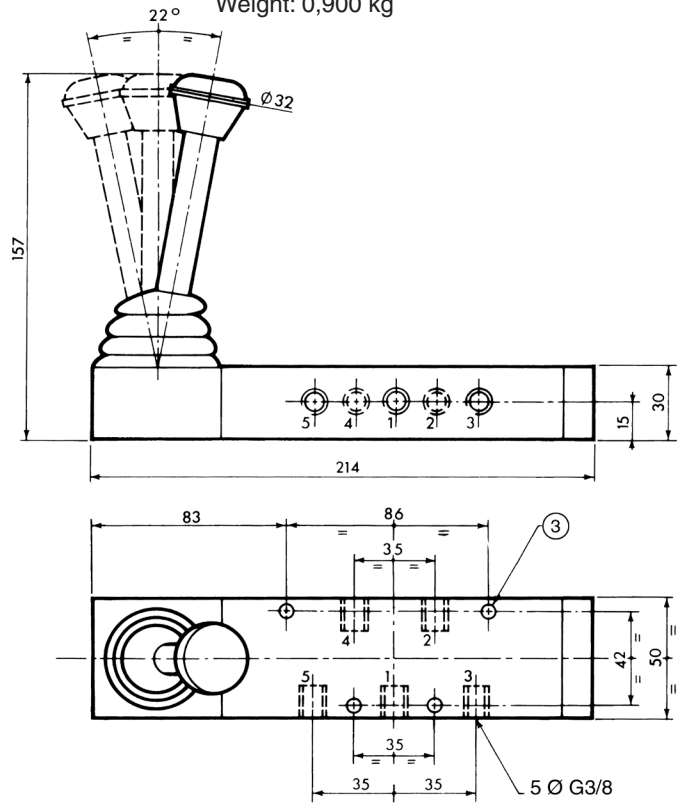
[Configurator - CAD Files](#)

**VALVE LEVER OPERATED**

**Series 551:** ports G 1/4  
Weight: 0,390 kg



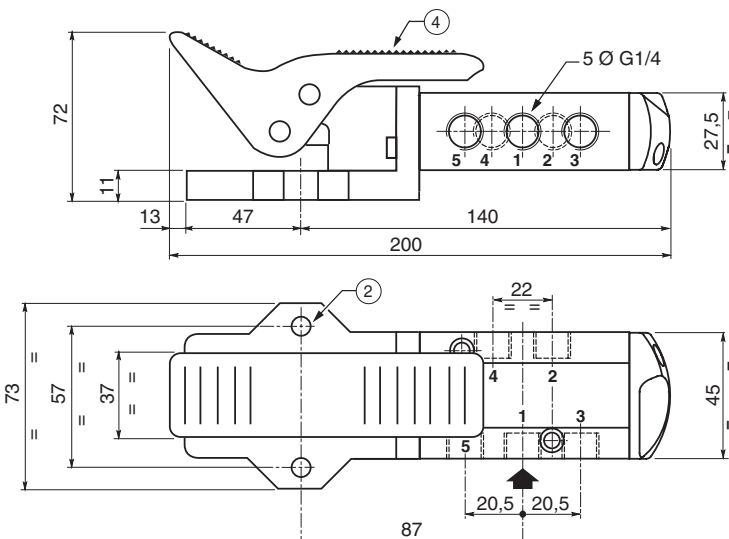
**Series 552:** ports G 3/8  
Weight: 0,900 kg



- ① 2 fixing holes: Ø 5,3 - counterbore : Ø 9, dept 5
- ② 2 fixing holes: Ø 8,5
- ③ 4 fixing holes: Ø 5,5
- ④ Return pedal 2 positions

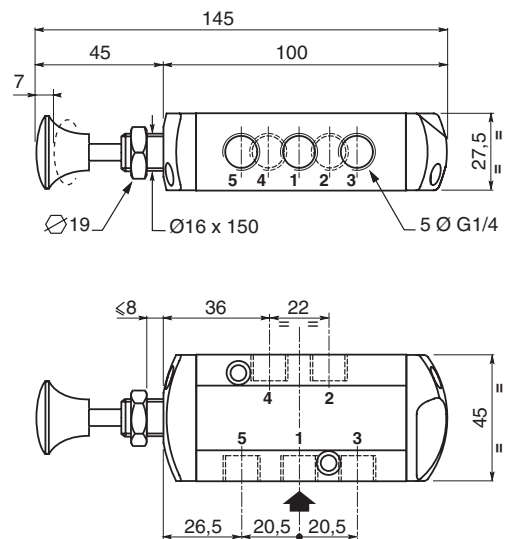
**VALVE PEDAL OPERATED**

**Series 551:** ports G 1/4  
Weight: 0,545 kg



**BUTTON, BUTTON PUSH-PULL**

**Series 551:** ports G 1/4  
Weight: 0,265 Kg



**12 - Manually & Mechanically operated valves (5/2)**