

### SPECIFICATIONS

FLUID	: Air or neutral gas, filtered, lubricated
PRESSURE	: 0 to 10 bar
TEMPERATURE	: -10°C to +60°C
FUNCTIONS	: 3/2 - 5/2
PORTS	: G 1/8
FLOW (Qv at 6 bar)	: 200 l/min (ANR)

### CONSTRUCTION

Body anodized light alloy  
 Covers light alloy and acetal (POM)  
 Internal parts light alloy  
 Sealing NBR (nitrile)  
 Lever and tappet steel  
 The 3/2 spool valve can be used as a 3/2 NC or 3/2 NO version, by connecting as indicated opposite



Ports of 3/2	
<b>NC</b>	<b>NO</b>
1 = Pressure	Exhaust
2 = Outlet	Outlet
3 = Exhaust	Pressure
Ports of 5/2	
1 = Pressure	
2,4 = Outlets	
3,5 = Exhausts	

### CHOICE OF EQUIPMENT

	Symbols Functions	Operators		Operating effort (daN)	CODES
		Pilot	Return		
<b>3/2</b>		Roller-lever	Spring	2	<b>55000046</b>
		Tappet	Spring	3	<b>55000047</b>
<b>5/2</b>		Roller-lever	Spring	2	<b>55000012</b>
		Tappet	Spring	3	<b>55000052</b>

### OPTION

Mini spool valve with one way trip (contact us).

00410GB-2017/R01  
Availability, design and specifications are subject to change without notice. All rights reserved.

**DIMENSIONS AND WEIGHTS**

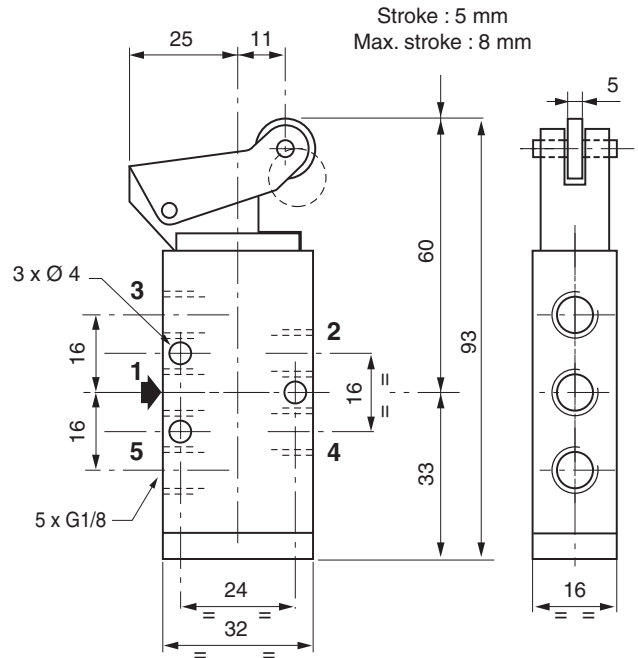
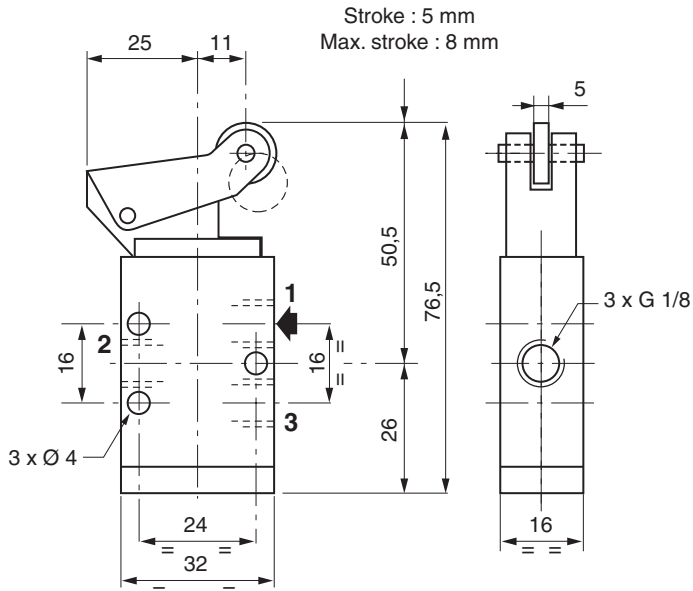
**3/2**

**5/2**

ROLLER-LEVER

Weight : 77 g

Weight : 86 g



TAPPET

Weight : 60 g

Weight : 76 g

