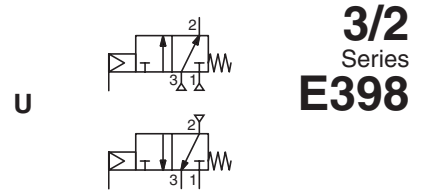




VALVES

pressure operated
stainless steel body
with threaded ports PN40, 1/2 to 2



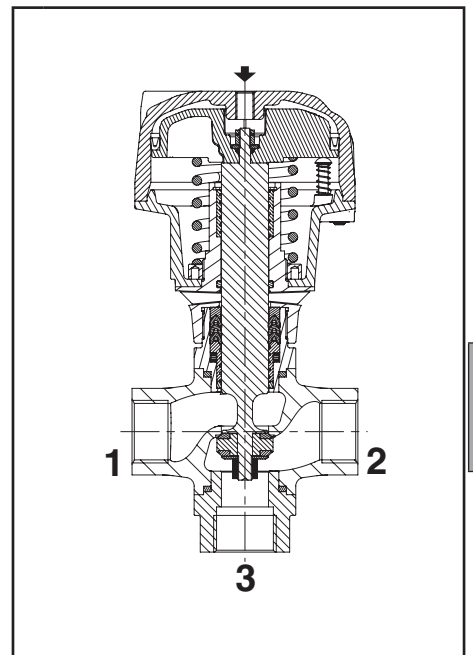
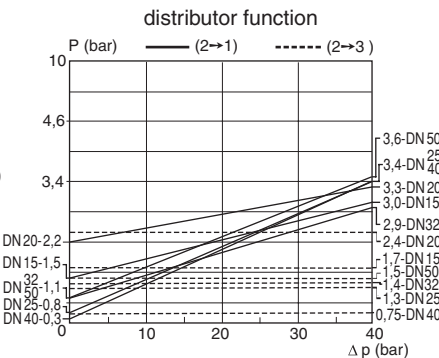
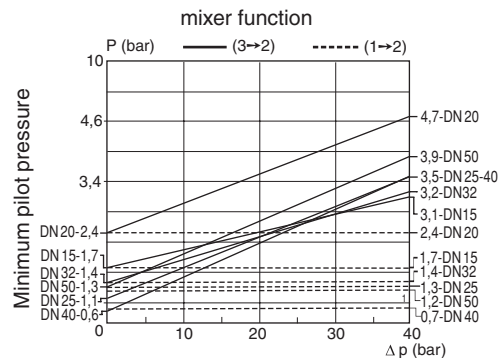
FEATURES

- Ruggedly built valve, particularly recommended for use with steam, superheated water, corrosive fluids
- High-performance, maintenance-free stuffing box, resistant to thermal shock
- Mixer function (two pressure inlets at 1 or 3, one outlet at 2) or distributor function (one pressure inlet at 2, two outlets at 1 and 3)
- Vacuum operation up to 10^{-2} mbar
- Allowable backpressure: up to 40 bar
- Optical position indicator as standard
- Autoclavable valve for use at high ambient temperatures (up to 180°C)
- The valves satisfy Pressure Equipment Directive 2014/64/EU
- The valves in conformity with IEC 61508 Standard (2010 route 2_H version) certified with integrity levels: SIL 2 for HFT = 0

GENERAL

Differential pressure	0 to 40 bar [1 bar = 100 kPa]
Maximum allowable pressure	40 bar (within the specified limits, see diagram I)
Ambient temperature range	-25°C to +180°C
Maximum viscosity	5000 cSt (mm ² /s)
Pilot fluid	Air
Max. pilot pressure	10 bar
Min. pilot pressure	See below

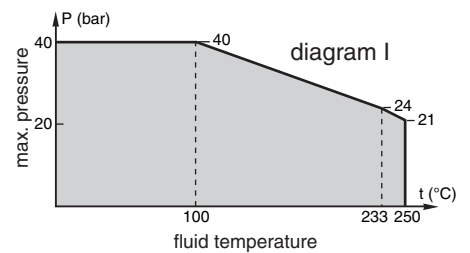
fluids (*)	temperature range	disc seal (*)
DN 15-20-25: air and gas groups 1 & 2 DN 32-40-50: air and gas group 2 all DN: water, oil, liquids groups 1 & 2 and steam	-10°C to +250°C	bronze PTFE



MATERIALS IN CONTACT WITH FLUID

(*) Ensure that the compatibility of the fluids in contact with the materials is verified

Valve body and plug	Stainless steel
Stuffing box housing	Stainless steel
Stem, disc	Stainless steel
Stuffing box packing	PTFE chevrons
Disc seal	Bronze PTFE
Valve body seal	Graphite
OTHER MATERIALS	
Operator	Aluminium, nickel plated



SPECIFICATIONS

piping (ISO 6708)	pipe size (G*)	DN	flow coefficient Kv								pilot pressure (bar)		operating pressure differential (bar)	operator diameter (mm)	catalogue number
			mixer				distributor				min.	max.			
			3→2 (m³/h)	1→2 (l/min)	3→2 (m³/h)	1→2 (l/min)	2→3 (m³/h)	2→1 (l/min)	2→3 (m³/h)	2→1 (l/min)					
U - Universal															
1/2	15	3,3	54	4,4	73	3,5	59	4,6	78	*	10	40	80	E398A001	
3/4	20	8,0	133	7,4	123	8,1	136	7,7	129	*	10	40	100	E398A002	
1	25	11,4	190	11,6	194	12,1	203	11,9	199	*	10	40	100	E398A003	
1 1/4	32	18,9	316	16,6	278	17,9	299	16,6	278	*	10	40	150	E398A004	
1 1/2	40	27	450	27	450	27	450	27	450	*	10	40	150	E398A005	
2	50	51	850	51	850	51	850	51	850	*	10	40	200	E398A006	

* Minimum pilot pressure varies with differential pressure. See piloting chart above.

00179GB-2016/R01 Availability, design and specifications are subject to change without notice. All rights reserved.

OPTIONS AND ACCESSORIES

- Metal-to-metal sealing disc
- Signaling box, with mechanical or inductive contacts
- Low temperature: ambient -55°C to +70°C and fluid -55°C to +70°C
- ATEX 2014/34/EU versions for potentially explosive atmospheres, categories 2 GD and 3 GD
- 2 switches, Ex d protection, mounted on valve with 2 Crouzet contacts type 83101-I-W1, for use in ambient temperatures from -20°C to +80°C: suffix **SD2** [Contact us for option with 1 Honeywell contact type 1HS1 (-55°C to +82°C) or 1 Crouzet contact (-20°C to +80°C).]
- Valve seat leakage class VI as defined by FCI 70-2, contact us
- Other pipe connections are available on request

INSTALLATION

- The valves can be mounted in any position without affecting operation
- Compatible with ASTM 1, 2 and 3 oils
- Check temperature range of valve body and solenoid pilot valves for suitability. For probability of failure, contact us
- Pipe connections (G*) have standard thread according to ISO 228/1 and ISO 7/1. Pipe connections (G) have standard thread according to ISO 228/1
- Installation/maintenance instructions are included with each valve

SPARE PARTS KITS

catalogue number	spare parts kit no.		
	piston seal	actuator spring	stem, disc, seals
E398A001	C140233	C140299	C140323
E398A002	C140234	C140301	C140324
E398A003	C140234	C140303	C140325
E398A004	C140235	C140305	C140326
E398A005	C140235	C140307	C140327
E398A006	C140298	C140309	C140328

ORDERING EXAMPLES:

	E 398 A 003
	E 398 A 008
ext. pipe thread	_____
basic number	_____

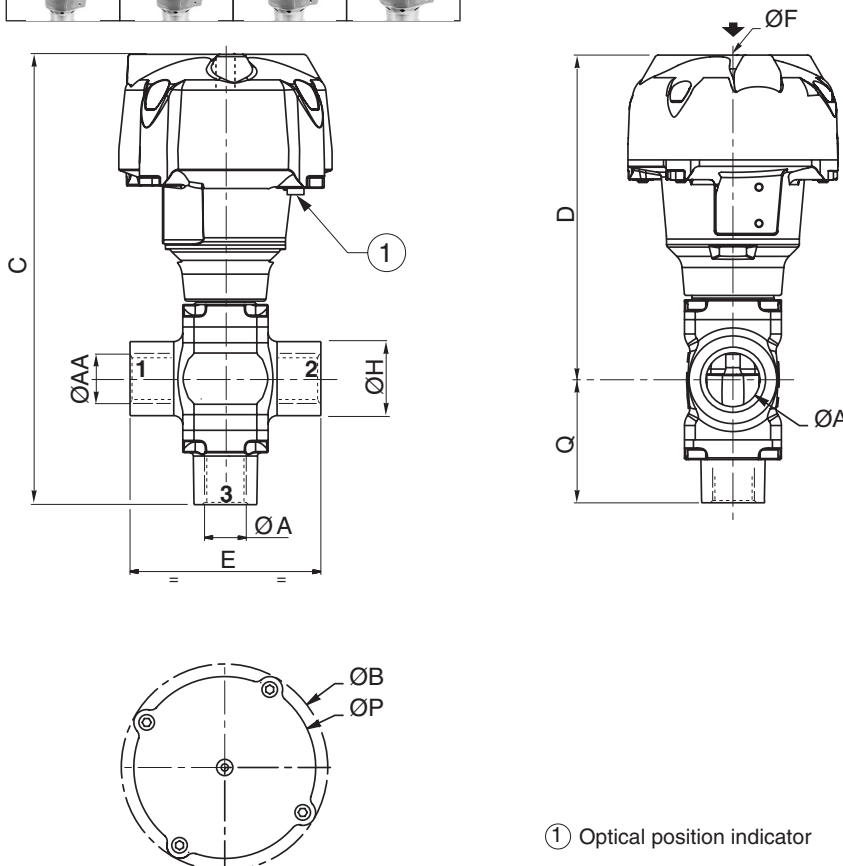
ORDERING EXAMPLES KITS:

	C140233
	C140298
	C140303
basic number	_____

DIMENSIONS (mm), WEIGHT (kg)



TYPE 01-02-03-04
Prefix "E"



type	DN	operator diameter	ØA	ØAA	ØB	C	D	E	ØF	ØH	ØP	Q	weight
01	15	80	15	1/2"	110	203,1	151,6	85	G 1/8	33	95	51,5	1,88
02	20	100	20	3/4"	132,5	229,2	170,9	110	G 1/8	40	117	58,3	3,52
	25	100	25	1"	132,5	244,9	180,9	120	G 1/8	46	117	64	4,24
03	32	150	32	1"1/4	191	318,2	237,2	145	G* 1/4	57	172,5	81	9,38
	40	150	40	1"1/2	191	361,7	259,2	150	G* 1/4	65	172,5	102,5	11,9
04	50	200	50	2"	247	436	328,5	190	G* 1/4	75	230	107,5	23,66