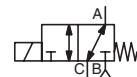




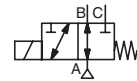
# SOLENOID VALVES

direct operated, coaxial  
for high pressure fluids  
3/8 to 1

NC



NO



3/2  
Series  
387

## FEATURES

- Coaxial-type solenoid operated valve designed for high flow rates with low pressure loss
- Compatible with viscous or abrasive gases and liquids
- Suitable for high pressure applications
- Solenoid operated valve designed for long service life
- Vacuum operation up to  $10^{-4}$  mbar
- The valves satisfy article 4.3 of Pressure Equipment Directive 2014/68/EU

## GENERAL

<b>Differential pressure</b>	40 bar (B → A : 12 bar) [1 bar = 100 kPa]
<b>Maximum viscosity</b>	500 cSt (mm <sup>2</sup> /s)
<b>Response time</b> (air operation ΔP = 4 bar)	3/8 1/2 3/4 1
opening time (ms)	45 60 105 150
closing time (ms)	70 130 150 190

fluids (*)	temperature range (TS)	seal materials (*)
air and gas groups 1 & 2	-20°C to +100°C	FPM (fluoroelastomer)
water, oil, liquids groups 1 & 2		PTFE

## MATERIALS IN CONTACT WITH FLUID

(\*) Ensure that the compatibility of the fluids in contact with the materials is verified

<b>Body</b>	Brass
<b>Internal parts</b>	Brass
<b>Tube</b>	Stainless steel
<b>Seals</b>	FPM /PTFE
<b>Disc seal</b>	FPM

## ELECTRICAL CHARACTERISTICS

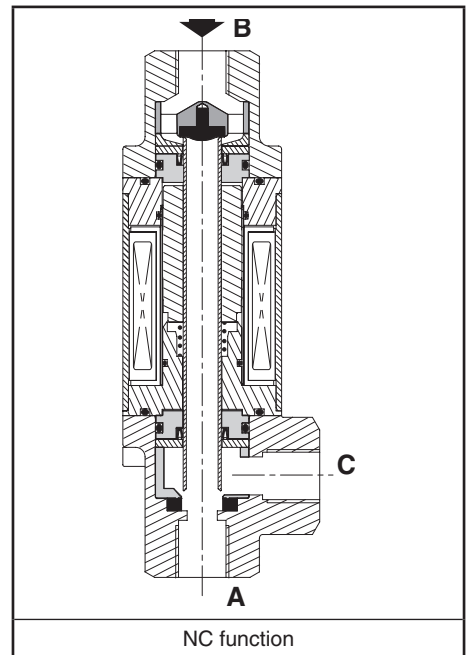
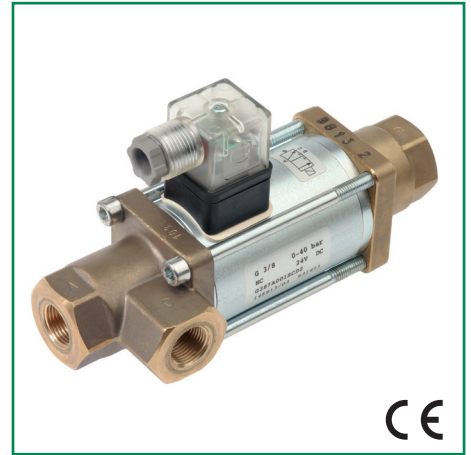
<b>Coil insulation class</b>	H
<b>Connector (rectifier for AC)</b>	Spade plug (cable Ø 6-8 mm) with indicator LED
<b>Connector specification</b>	ISO 4400 / EN 175301-803, form A
<b>Electrical safety</b>	IEC 335
<b>Electrical enclosure protection</b>	IP65 (EN 60529)
<b>Standard voltages</b>	DC (=) : 24V AC (~) : 110V - 230V / 50 Hz

prefix option	pipe size	power ratings (integrated coil DC (=), cold)			operator ambient temperature range (TS) (C°)	replacement coil		type <sup>(1)</sup>
		110 V ~ (W)	230 V ~ (W)	24 V ~/= (W)		~ 230 V/50 Hz	= 24 V DC	
SC	3/8	40	42	35	-20 to +60	-	-	01
	1/2	45	55	51				
	3/4	62	60	53				
	1	68	69	60				

<sup>(1)</sup> Refer to the dimensional drawings on the following page.

## SPECIFICATIONS

pipe size	DN	flow coefficient Kv				operating pressure differential (bar)				power coil (W)		catalogue number	
						max. (PS)							
						air/gas/water/oil (*)							
A → B		A → C		B → A	B → A	A ↔ C	A → B	~	=	~/=			
(m <sup>3</sup> /h)		(l/min)		(m <sup>3</sup> /h)	(l/min)	~	=	~/=	~/=	~	=	~/=	
<b>NC - Normally closed</b>													
3/8	10	2,2	36,6	1,6	26,6	0	12	12	40	40	42	35	SCG387A001
1/2	15	5,2	86,6	3,6	60	0	12	12	40	40	55	51	SCG387A002
3/4	20	7,5	125	5,6	93,3	0	12	12	40	40	60	53	SCG387A003
1	25	12,2	203,3	10,2	170	0	12	12	40	40	69	60	SCG387A004
<b>NO - Normally open</b>													
3/8	10	2,2	36,6	1,6	26,6	0	12	12	40	40	42	35	SCG387A005
1/2	15	5,2	86,6	3,6	60	0	12	12	40	40	55	51	SCG387A006
3/4	20	7,5	125	5,6	93,3	0	12	12	40	40	60	53	SCG387A007
1	25	12,2	203,3	10,2	170	0	12	12	40	40	69	60	SCG387A008



### OPTIONS

- Connector rectifier: 110 V AC, catalogue number: **88122635**; 230 V AC, catalogue number: **88122634**

### INSTALLATION

- The solenoid valves can be mounted in any position without affecting operation
- Solenoid valves have 2 mounting holes in body
- Pipe connection identifier is G = G (ISO 228/1)
- Installation/maintenance instructions are included with each valve

### SPARE PARTS KIT & ACCESSORIES

catalogue number	spare parts kit no.	mounting bracket no.
SCG387A001/005	<b>C140209</b>	<b>C140130</b>
SCG387A002/006	<b>C140211</b>	<b>C140131</b>
SCG387A003/007	<b>C140213</b>	<b>C140132</b>
SCG387A004/008	<b>C140215</b>	<b>C140133</b>

### ORDERING EXAMPLES:

SC	G	387	A	001	230V / 50 Hz
SC	G	387	A	005	110V / 50 Hz
SC	G	387	A	008	24V / DC

prefix — pipe thread — basic number — voltage — suffix

### ORDERING EXAMPLES KITS:

	C140209
	C140213

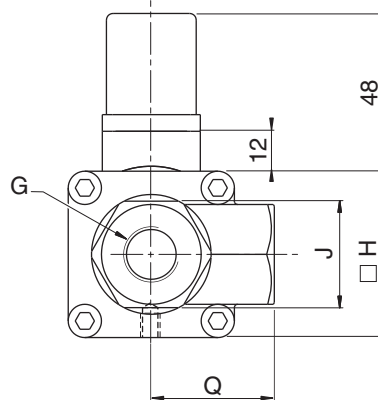
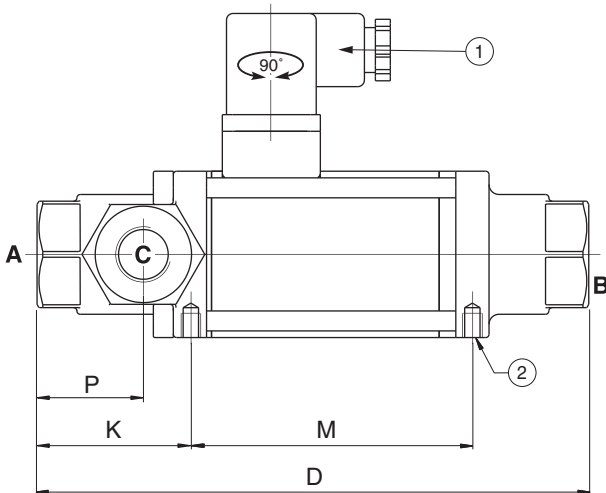
basic number —

### DIMENSIONS (mm), WEIGHT (kg)



#### TYPE 01

Prefix "SC" Solenoid  
IEC 335 / ISO 4400  
IP65



Pressure inlet:

- NC function = Port B
- NO function = Port C

- ① Connector rectifier for AC (~)
- ② 2 mounting holes Ø M5, depth 7 mm

type	prefix option	G	D	H	J	K	M	P	Q	X	Y	Z	weight <sup>(1)</sup>
01	SC	3/8	166	50	32	46	85	32	37	24	111	6	2,0
		1/2	200	70	41	58	103	38,5	60	38	136	6	4,1
		3/4	229	80	46	71	111	45,5	72	45	151	7	6,0
		1	249	90	55	73	121	48	80	50	165	7	8,1

<sup>(1)</sup> Including connector (without mounting brackets).

