

### SPECIFICATION

FLUID	: Air filtered, lubricated or not
PORTS	: Instant fittings for flexible tube Ø 4 mm OD
PRESSURE	: 0 to 8 bar
TEMPERATURE	: -5°C to +50°C
OPERATORS	: Mechanical
FLOW (Qv at 6 bar)	: 140 l/min (ANR)
Ø NOMINAL	: 2,5 mm

### CONSTRUCTION

Spool and poppet design closed centre  
 Body zinc diecasting  
 Internal parts in stainless steel and elastomer  
 Instant fittings in brass  
 Sealing NBR (nitrile)  
 Built-in silencer

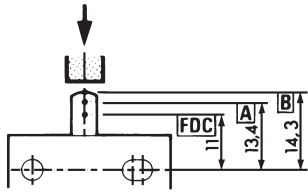


### CHOICE OF EQUIPMENT

FUNCTION NC Normally closed		Mechanical operator			1 = Pressure 2 = Outlet 3 = Exhaust (not tapped)
Operating head + body		Effort (daN) Supply pressure			CODES
Type	Description	2 bar	5 bar	8 bar	
	Simple push	1	1,7	2,5	<b>30900002</b>
	Lever roller plastic roller	0,5	0,9	1,3	<b>30900003</b>
	Lever roller ball bearing roller	0,5	0,9	1,3	<b>30900001</b>
	1 way trip plastic roller (Life : 1 million cycles)	0,5	0,9	1,3	<b>30900004</b>
	Threaded head push (*)	1	1,7	2,5	<b>30900006</b>

(\*) The pilot valve with a threaded head, is equipped with a treated steel stop rig which allows the valve to be used as an end stop (max. force 200 kg, 50 mm dia. cylinder).

**MOUNTING**

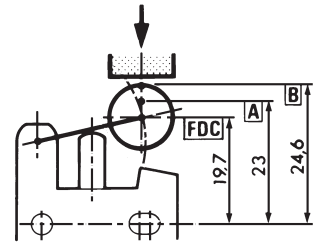


**Front Actuation**

**A** : Actuating point  
(small flow established)

**B** : Release point

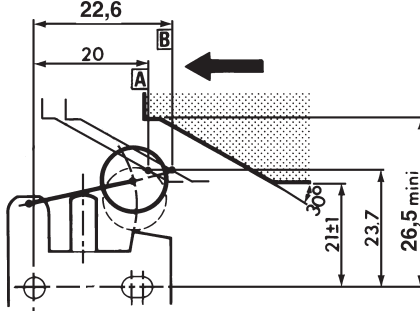
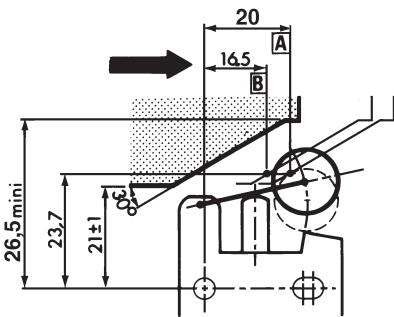
**FDC** : End of stroke position



**Lever roller**

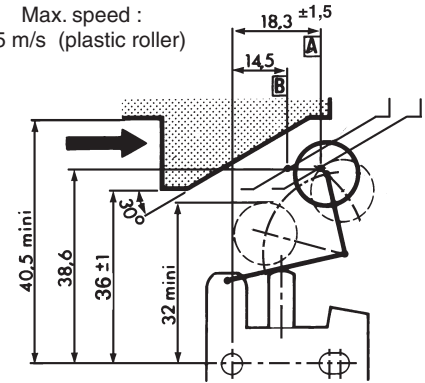
Max. speed :  
1 m/s (plastic roller)  
0,3 m/s (ball bearing roller)

**Side operation  
30°**



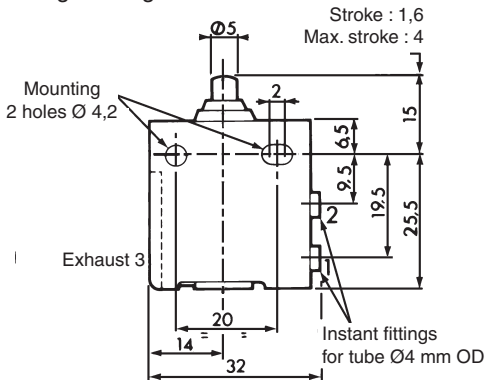
**1 way trip plastic roller**

Max. speed :  
0,5 m/s (plastic roller)

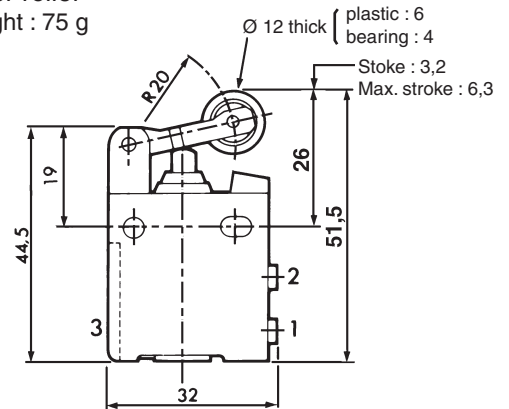


**DIMENSIONS AND WEIGHTS**

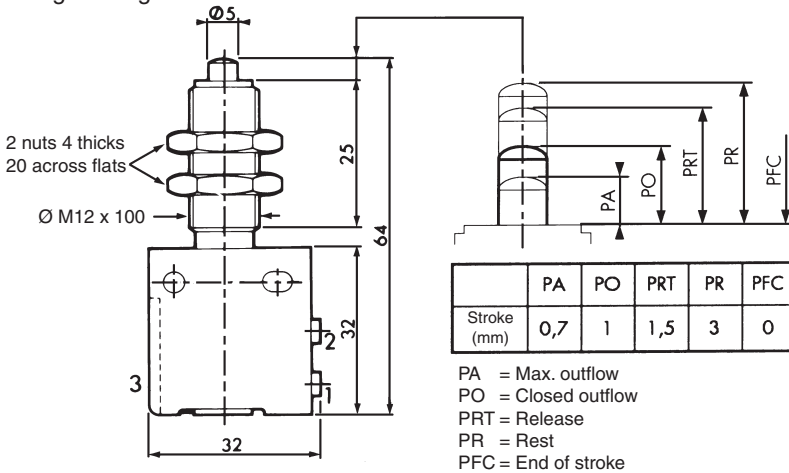
Tapped  
Weight : 65 g



Lever roller  
Weight : 75 g



Push button  
Weight : 80 g



1 way trip plastic roller  
Weight : 80 g

