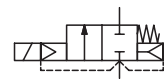




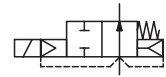
# SOLENOID VALVES

pilot operated, built-in pilot  
stainless steel body, floating diaphragm  
3/8 to 1

NC



NO



2/2  
Series  
238

## FEATURES

- Minimum operating pressure differential  $\Delta P$  0,35 bar
- Two way valves for automatic control of water, air and inert gas and other gases/liquids compatible with the sealing materials used
- Stainless steel body for wide compatibility with environments and fluids
- Interchangeability of magnetic heads, AC and DC
- The solenoid valves satisfy all relevant EU Directives

## GENERAL

<b>Differential pressure</b>	See «SPECIFICATIONS» [1 bar =100 kPa]
<b>Ambient temperature range</b>	-10°C to +60°C
<b>Maximum viscosity</b>	37 cSt (mm <sup>2</sup> /s)
<b>Response time</b>	3/8 1/2 3/4 1
opening time (ms)	300 300 300 1500
closing time (ms)	1000 1000 1000 2000

fluids (*)	temperature range (TS)	seal materials (*)
air, inert gas and water	0°C to +130°C	FPM (fluoroelastomer)

## MATERIALS IN CONTACT WITH FLUID

(\*) Ensure that the compatibility of the fluids in contact with the materials is verified

<b>Body</b>	Stainless steel, AISI 316L
<b>Core tube</b>	Stainless steel
<b>Core and plugnut</b>	Stainless steel
<b>Springs</b>	Stainless steel
<b>Seat</b>	Stainless steel, AISI 316L
<b>Diaphragm &amp; disc valve</b>	FPM
<b>Seals &amp; disc pilot</b>	FPM
<b>Shading coil</b>	Copper

## ELECTRICAL CHARACTERISTICS

<b>Coil insulation class</b>	F
<b>Connector</b>	Spade plug (cable Ø 6-8 mm or Ø 6-10 mm)
<b>Connector specification</b>	
for power coil: 4 W/6,9 W	DIN 43650, 11 mm, industry standard B
for power coil: 6,9 W DC	ISO 4400 / EN 175301-803, form A
<b>Electrical safety</b>	IEC 335
<b>Electrical enclosure protection</b>	Moulded IP65 (EN 60529)
<b>Standard voltages</b>	DC (=) : 24V - 48V
(Other voltages and 60 Hz on request)	AC (-) : 24V - 48V - 115V - 230V / 50 Hz

prefix option	power ratings				operator ambient temperature range f (TS) (C°)	replacement coil		type <sup>(1)</sup>
	inrush ~	holding ~	hot/cold =	~		=		
	(VA)	(VA)	(W)				230 V/50 Hz	
SC	12 -	6 -	4 -	4 / 6,9 4 / 5	-10 to +60 -10 to +60	400127-197 -	400127-142 400727-185	01 <sup>(2)</sup> 02

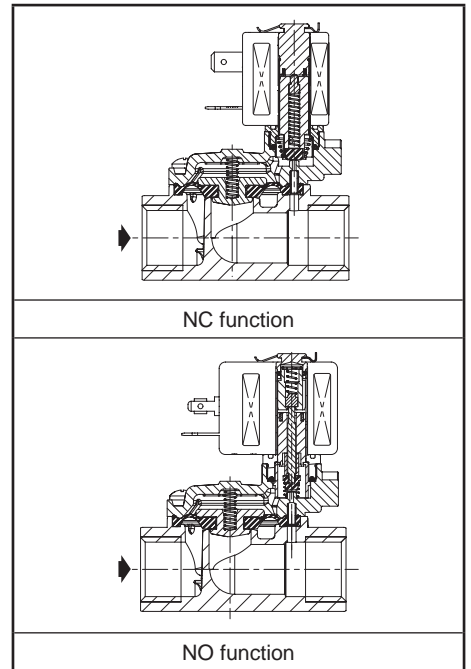
<sup>(1)</sup> Refer to the dimensional drawings on the following page.

<sup>(2)</sup> UL/CSA certified.

## SPECIFICATIONS

pipe size	orifice size	flow coefficient Kv		operating pressure differential (bar)				power coil (W)		catalogue number	options			
				min.	max. (PS)		~				=	maintained man. operator	EPDM	
					air / water (*)									
G	(mm)	(m <sup>3</sup> /h)	(l/min)		~	=		~	=	~/=				
<b>NC - Normally closed</b>														
3/8	13,5	2,5	41,7	0,35	12	12	4	6,9		SCG238D101V	MO	E	-	
1/2	13,5	3,8	63,3	0,35	12	12	4	6,9		SCG238D102V	MO	E	-	
3/4	18	5	83,3	0,35	10	10	4	6,9		SCG238D103V	MO	E	-	
1	24	12	200	0,35	10	10	4	6,9		SCG238D104V	MO	E	-	
<b>NO - Normally open</b>														
3/8	13,5	2,5	41,7	0,35	12	12	4	5 <sup>(2)</sup>		SCG238D105V	-	E	-	
1/2	13,5	3,8	63,3	0,35	12	12	4	5 <sup>(2)</sup>		SCG238D106V	-	E	-	
3/4	18	5	83,3	0,35	10	10	4	5 <sup>(2)</sup>		SCG238D107V	-	E	-	
1	24	12	200	0,35	10	10	4	5 <sup>(2)</sup>		SCG238D108V	-	E	-	

<sup>(2)</sup> Type 02.





### OPTIONS

- Valves can also be supplied with EPDM (ethylene-propylene) seals, diaphragm and disc. Use the appropriate optional suffix letter for identification
- Explosionproof enclosures for use in zones 1/21-2/22, categories 2-3 to ATEX Directive 2014/34/EU ([www.asco.com](http://www.asco.com))
- Oxygen service, suffix NV, example: SCG238D102NV
- Connector with visual indication and peak voltage suppression or with cable length of 2 m ([www.asco.com](http://www.asco.com))

### INSTALLATION

- The solenoid valves can be mounted in any position without affecting operation
- Threaded pipe connection is standard: G = G (ISO 228/1)
- Installation/maintenance instructions are included with each valve

### SPARE PARTS KIT

catalogue number	spare parts kit no. <sup>(1)</sup>	
	 <sup>(1)</sup>	
	~/=	~/=
SCG238D101V/102V	<b>C131038V</b>	<b>C140267V</b>
SCG238D103V	<b>C131039V</b>	<b>C140267V</b>
SCG238D104V	<b>C131040V</b>	<b>C140267V</b>
SCG238D105V/106V	<b>C131041V</b>	<b>C140508V</b>
SCG238D107V	<b>C131042V</b>	<b>C140508V</b>
SCG238D108V	<b>C131043V</b>	<b>C140508V</b>

<sup>(1)</sup> For EPDM version, replace "V" with "E".

### ORDERING EXAMPLES:

SC	G	238	D	101	V	230V / 50 Hz
SC	G	238	D	104	E	24V / DC
SC	G	238	D	102	VMO	230V / 50 Hz

prefix — pipe thread — basic number — voltage — suffix

### ORDERING EXAMPLES KITS:

C140267	V
C131038	E

basic number — suffix

### DIMENSIONS (mm), WEIGHT (kg)



**TYPE 01**  
Prefix "SC" Solenoid  
Epoxy moulded  
IEC 335 / DIN 43650  
IP65

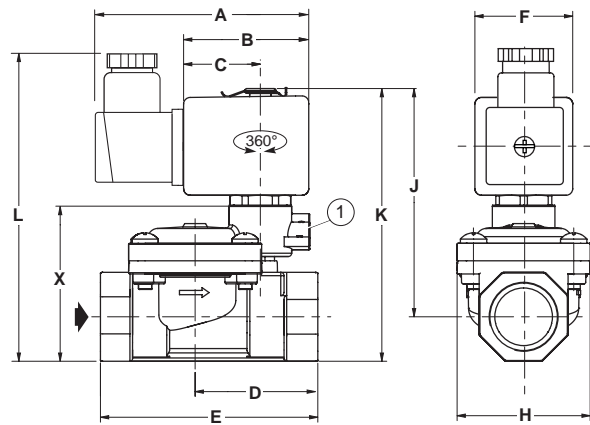
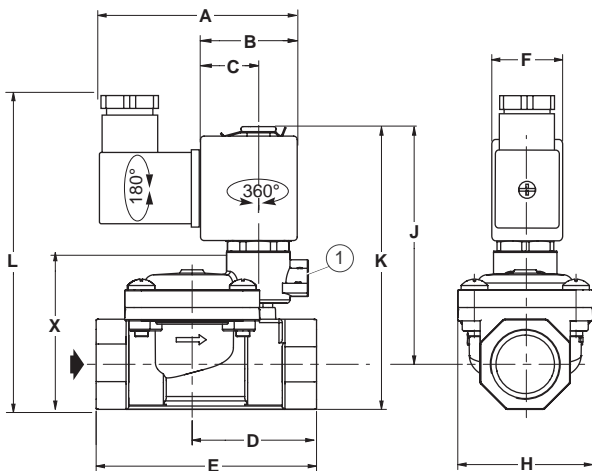
SCG238D101/102/103/104

AC (-): SCG238D105/106/107/108



**TYPE 02**  
Prefix "SC" Solenoid  
Epoxy moulded  
IEC 335 / ISO 4400  
IP65

DC (-): SCG238D105/106/107/108



<sup>1</sup> Manual operator location.

type	prefix option	catalogue number	A	B	C	D	E	F	H	J	K	L	X	weight <sup>(2)</sup>	
														NC	NO
01	SC	SCG238D101 / SCG238D105 (-)	60,5	27,5	17	34,5	60	22	40	67	78	95	42	0,33	0,35
		SCG238D102 / SCG238D106 (-)	60,5	27,5	17	37	66	22	40	69	83	100	47	0,45	0,41
		SCG238D103 / SCG238D107 (-)	60,5	27,5	17	43,5	79	22	50	73,5	90	107	54	0,52	0,55
		SCG238D104 / SCG238D108 (-)	60,5	27,5	17	59	105	22	71	85	106	123	70	1,08	1,11
02	SC	SCG238D105 (=)	76	38	23	34,5	60	30	40	67	78	95	42	-	0,35
		SCG238D106 (=)	76	38	23	37	66	30	40	69	83	83	47	-	0,41
		SCG238D107 (=)	76	38	23	43,5	79	30	50	73,5	90	90	54	-	0,55
		SCG238D108 (=)	76	38	23	59	105	30	71	85	106	106	70	-	1,11

<sup>(2)</sup> Incl. coil(s) and connector(s).