

AVENTICS™ Solenoid Valves

3 way, NC/NO/U, Direct Operated, ISO 15218 (CNOMO, size 30) interface, Pad Mounting Body, Instant Fitting or 1/8" - 1/4" Subbases

3/2
Series
192

Features & Benefits

- CNOMO pad-mount version for valve piloting applications
- Compact size and low weight for easy installation on single or joinable subbases
- AC/DC interchangeability of the solenoid operator without any need for disassembly of the valve
- Version with M12 connection with visual indication and peak voltage suppression conforming to "UL" standards
- Flexible installation on joinable subbases
- Manual operator as standard
- The solenoid valves satisfy all relevant EU directives

General

Differential pressure See "SPECIFICATIONS" [1 bar = 100 kPa]
Maximum allowable pressure 16 bar
Response time 7 ms

fluids (*)	temperature range (TS)	seal materials (*)
air, inert gas	- 10°C à + 60°C	NBR (nitrile) PUR (polyurethane)

Materials in contact with fluid

(*) Ensure that the compatibility of the fluids in contact with the materials is verified

Body PAM, glass-filled
Core tube Stainless steel
Core and plugnut Stainless steel
Internal parts, springs Stainless steel
Seals NBR, PUR
Shading coil Copper

Construction

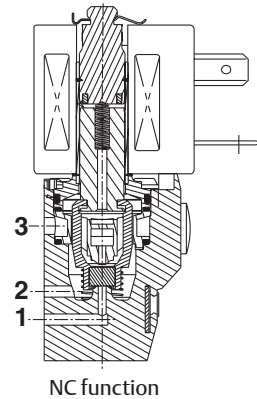
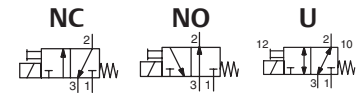
Mounting pad NC ISO 15218 (CNOMO 06-05-80 / NF E49-066, size 30)
NO - U NF E 49-066

Electrical characteristics

Coil insulation class F
Connector Spade plug (cable Ø 6-10 mm) or M12
Connector specification ISO 4400 / EN 175301-803, form A or CNOMO E03.62.520.N (M12)
Electrical safety IEC 335
Electrical enclosure protection Moulded IP67 (EN 60529)
Moulded IP65, M12 version
Standard voltages DC (=): 24V - 48V (M12: 24 V + LED and protection)
(Other voltages and 60 Hz on request) AC (~): 24V - 48V - 115V - 230V / 50 Hz

power ratings				operator ambient temperature range (TS) (C°)	replacement coil		type ⁽¹⁾
inrush ~ (VA)	holding ~ (VA)	hot/cold = (W)	~ (W)		= (W)		
9	4	3	3 / 3	-10 to + 60	230 V/50 Hz 43005627	24 V DC 43005642	01
					-	43005664	06



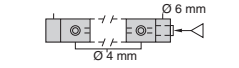
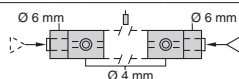



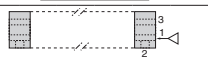
⁽¹⁾ Refer to the dimensional drawings on the following page.



Specifications

pipe size	orifice size		flow at 6 bar		flow coefficient		operating pressure differential (bar)			power coil (W)		Catalog number										
			l/min (ANR)		Kv		min.	max. (PS)				without man. operator	maintained man. operator	impulse man. operator	button	man. operator	with connector	without connector	M12 connection			
	1→2	2→3	1→2	2→3	air (*)			~/=	~/=	=												
	(mm)	(mm)			(l/min)	(l/min)			~	=	~	=										
NC - Normally closed (with exhaust to the subbase)																						
pad mounting ⁽¹⁾	1,9	2,1	105	105	1,5	1,5	0	16	16	3	3	×				19201004	19201025	19201139				
												●				19201005	19201026	19201140				
													▼			19201006	19201027	19201141				
	2,1	2,3	112	154	1,6	2,2	0	12	12	3	3	×				19201068	19201074	19201155				
												●				19201001	19201022	19201136				
													▼			19201002	19201023	19201137				
														■	19201003	19201024	19201138					
																		■	19201067	19201073	19201154	
NC - Normally closed (with exhaust 1/8 to the front side)																						
pad mounting ⁽¹⁾	1,9	2,1	105	105	1,5	1,5	0	16	16	3	3	×				19201010	19201031	19201145				
												●				19201011	19201032	19201146				
													▼			19201012	19201033	19201147				
	2,1	2,3	112	154	1,6	2,2	0	12	12	3	3	×				19201070	19201076	19201157				
												●				19201007	19201028	19201142				
													▼			19201008	19201029	19201143				
																		■	19201009	19201030	19201144	
																			■	19201069	19201075	19201156
NO - Normally open (with exhaust to the subbase)																						
pad mounting ⁽¹⁾	2,1	1,9	112	105	1,6	1,5	0	10	10	3	3	×				19201013	19201034	19201148				
												●				19201014	19201035	19201148				
													▼			19201015	19201036	19201150				
																			■	19201071	19201077	19201158
U - Universal (with exhaust to the subbase)																						
pad mounting ⁽¹⁾	1,5	1,5	56	63	0,8	0,9	0	10	10	3	3	×				19201019	19201037	19201151				
												●				19201020	19201038	19201152				
													▼			19201021	19201039	19201153				
																			■	19201072	19201078	19201159

Subbases

pipe size	designation	composition	Catalog number	
6/6 polyamide subbases				
instant fittings ⁽²⁾	single subbase (instant fittings OD 4 mm)		35300069	
	joinable subbase (instant fittings OD 4 mm)		35300070	
	set of 2 joinable end subbases, right-hand pressure intake, endpieces with instant fittings OD 6 mm		35300071	
	set of 2 joinable end subbases, right-hand and/or left-hand pressure intake, endpieces with instant fittings OD 6 mm		35300072 ⁽³⁾	
Zamak subbases				
tapped (G) ⁽²⁾	1/8	laterally-connected single subbase		35300047
		laterally-connected joinable subbase		35300048
	1/4	laterally-connected single subbase (3 connectable ports lateral bore)		35300049
		laterally-connected joinable subbase (3 connectable ports lateral bore)		35300057

⁽¹⁾ Port 3: M5.

⁽²⁾ These subbases can be mounted on omega rail to EN 50022 using 2 clips (clips sold in packs of 10, catalogue number: 33400036).

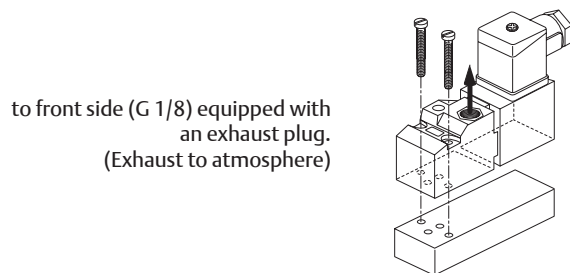
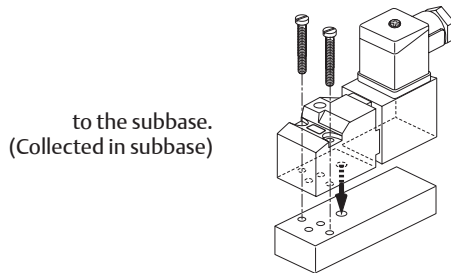
⁽³⁾ The equipment can be used for two different pressure intakes, supplied with one blanking plug to cover unused port.

Options

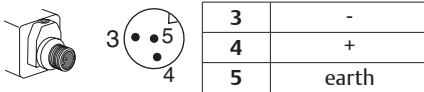
- Explosionproof enclosures for use in zones 1/21-2/22, categories 2-3 to ATEX Directive 2014/34/EU
Ex mb (PV), catalogue numbers: **PV19201001..1072**
- Straight M12 connector (IP67 protection with connector correctly installed): with 5 m cable: catalogue number **88130212**
- Right-angle M12 connector (IP67 protection with connector correctly installed), with 5 m cable: catalogue number **88130213**
- Catalogue number (without connector) + connector catalogue number (with integrated LED indicator and electrical protection):
24 V (~/=), **88122603** - 48 V (~/=), **88122604** - 115 V (~), **88122605** - 230 V (~), **88122608**
- M5 flow control regulator to fit port 3, catalogue number: **34600380**
- Plug with visual indication and peak voltage suppression or with cable length of 2 m (see Solenoids, Coils & Accessories section)

Installation

- The solenoid valves can be mounted in any position without affecting operation
- Selection of the exhaust port:

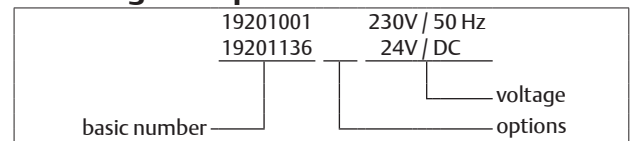


- Mounting on single or joinable subbases
- ATEX 2014/34/EU versions (option "PV") can be installed on single (all versions) or joinable zinc diecast subbases
- Pipe connections 1/8 have standard thread according to ISO 228/1
- Installation/maintenance instructions are included with each valve
- M12 electrical connection:



- Installation/maintenance instructions are included with each valve

Ordering examples valves:

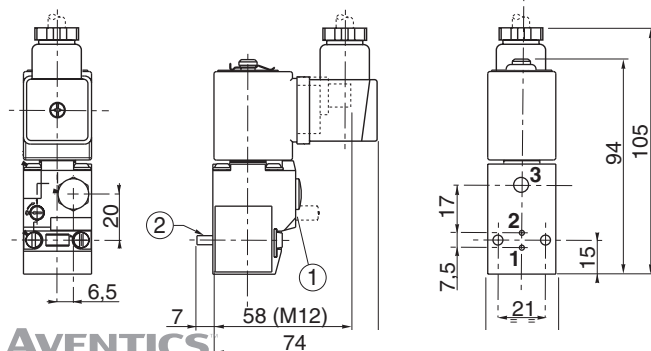


Dimensions (mm), Weight (kg)



TYPE 01-06
Spade plug / M12
IEC 335
EN 175301-803 (11 mm) - IP67 /
E03.62.520.N - IP65 (M12)

NC/NO/U




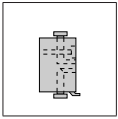
- ① Manual operator location
- ② Mounting: two CM4x20 screws

type	weight
01	0.270 ⁽¹⁾
M12	0.260

ector.

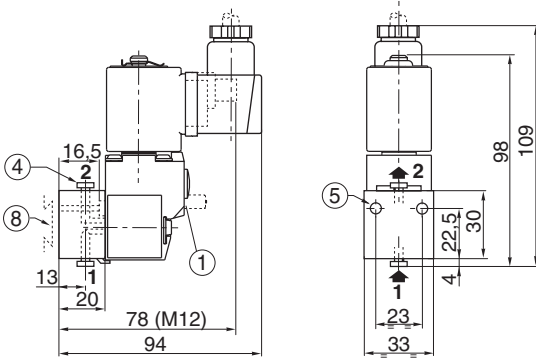
EMERSON

Dimensions (mm), Weight (kg) 



TYPE 02
Single instant fitting subbase
Polyamide

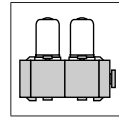
35300069



type	weight ⁽¹⁾
02	0.135

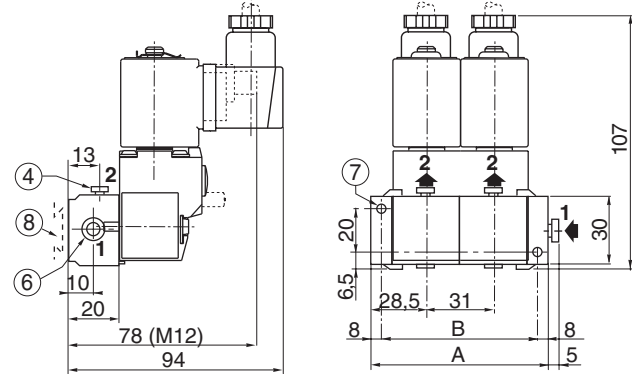
⁽¹⁾ including coil and connector.

- ④ Instant-fitting connection for OD 4 mm tube
- ⑤ Mounting: two dia. 3.5 mm securing holes, dia. 6.5 mm counter-bores, depth 3.5 mm
- ⑥ Instant-fitting connection for OD 6 mm tube
- ⑦ Mounting: two dia. 4.5 mm securing holes
- ⑧ Adaptable clips



TYPE 03
Joinable instant fitting subbase
Polyamide

35300070 / 35300071 (set of 2)

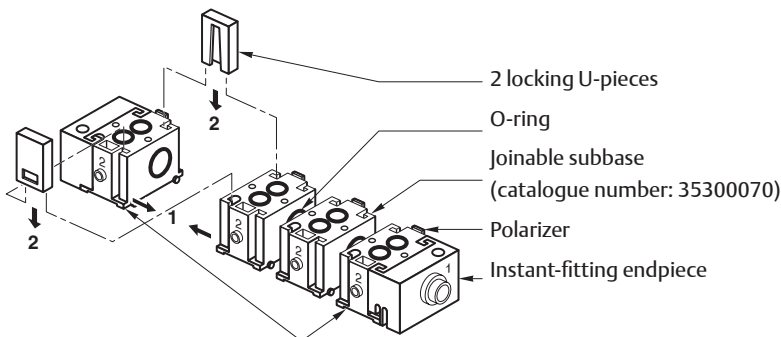


number of subbases	type 03	
	A	B
2	88	72
3	119	103
4	150	134
5	181	165
6	212	196
7	243	227
8	274	258

type	weight ⁽²⁾						
	number of subbases						
	2	3	4	5	6	7	8
03+01	0.595	0.88	1.165	1.45	1.735	2.02	2.305

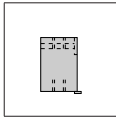
⁽²⁾ Including seals, set screws and joining unit.

Right-hand pressure intake option or 2 different pressure intakes by procuring the set of two end subbases with endpieces (catalogue number: 35300072).
When mounted on DIN rail, it is recommended to use a securing clip on the end subbases as well as on the central subbase.



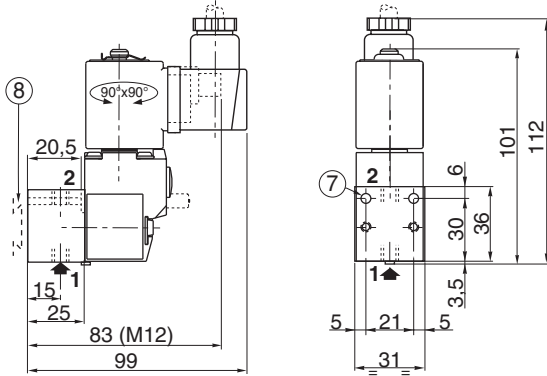
Joinable end subbases with instant-fitting endpieces
(catalogue number: 35300071)

Dimensions (mm), Weight (kg)



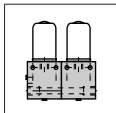
TYPE 04
Single subbase
1/8 - Zamak
NC function only
2 connectable ports

35300047



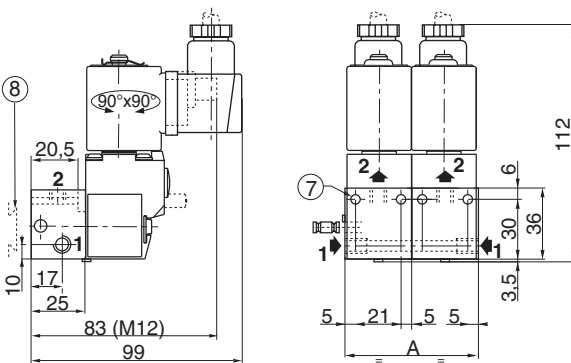
type	weight ⁽¹⁾
04	0.185
04 + 01	0.455

⁽¹⁾ including coil and connector.



TYPE 05
Joinable subbase
1/8 - Zamak
NC function only
2 connectable ports

35300048

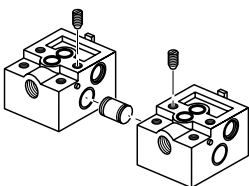


type	weight ⁽²⁾						
	number of subbases						
	2	3	4	5	6	7	8
05+01	0.74	1.10	1.48	1.85	2.22	2.59	2.96

⁽²⁾ Including seals, set screws and joining unit.

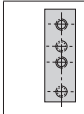
number of subbases	type 06
	A
2	62
3	93
4	124
5	155
6	186
7	217
8	248

- ⑦ Mounting: two dia. 4.5 mm securing holes
- ⑧ Adaptable clips



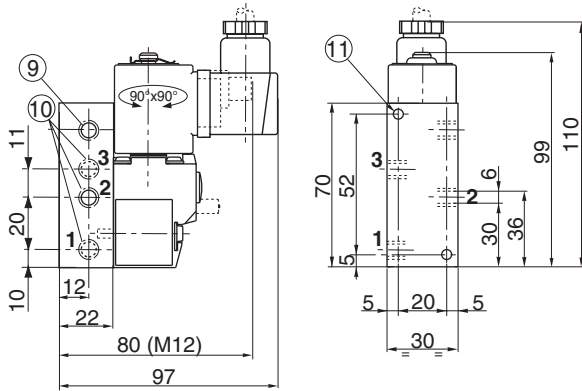
Joinable subbases assembled with adapter locked by sunk set screws.
For DIN rail mounting: see type 03.

Dimensions (mm), Weight (kg)



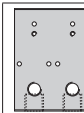
TYPE 06
Single subbase
1/4 - Zamak
NC, NO or U function
3 connectable ports

35300049



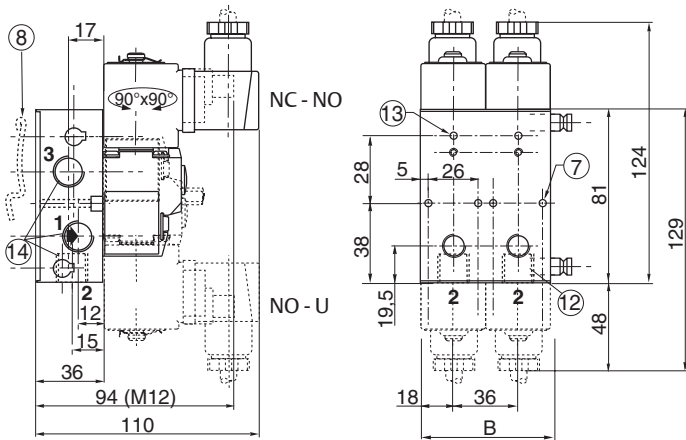
type	weight ⁽¹⁾
06	0.240
06 + 01	0.510

⁽¹⁾ including coil and connector.



TYPE 07
Joinable subbase
1/4 - Zamak
NC, NO or U function
3 connectable ports

35300057



type	weight ⁽²⁾						
	number of subbases						
	2	3	4	5	6	7	8
07+01	0.88	1.32	1.76	2.2	2.64	3.08	3.52

⁽²⁾ Including seals, set screws and joining unit.

number of subbases	type 07
	B
2	72
3	108
4	144
5	180
6	216
7	252
8	288

- ⑦ Mounting: two dia. 4.5 mm securing holes
- ⑧ Adaptable clips
- ⑨ Non-used port
- ⑩ Port 3: NC (exhaust) / NO (Inlet pressure)
Port 2: NC - NO (Outlet pressure)
Port 1: NC (Inlet pressure) / NO (exhaust)
U: Pressure entry through any port
- ⑪ Mounting: two dia. 4.5 mm securing holes, dia. 8 mm counter-bores, depth 6 mm
- ⑫ Port 2: Accessible by removing cap
- ⑬ Mounting: two dia. 4.5 mm securing holes, dia. 7.5 mm counter-bores, depth 6 mm
- ⑭ NC-NO-U: Port 3 (exhaust) / Port 2 (Outlet pressure)
Port 1 (Inlet pressure)