

FEATURES

- Compact pilot boxes with direct operated, integrated pilot valves
- Especially designed for the remote control of pulse valves (series 353)
- Valve seats are integrated in base plate
- Common exhaust connection for just 1 or 2 (G 3/8") silencers
- Built-in heating elements for trouble free operation at low ambient temperatures
- Degree of protection: IP 65
- Facilities for integrated quick fittings
- The components satisfy all relevant EC directives

GENERAL

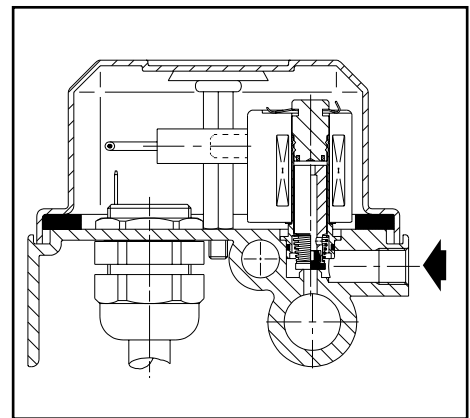
Differential pressure (PS) 0 to 8,5 bar [1 bar = 100kPa]
Response times 5 - 25 ms

fluid	temperature range (TS)	seal material
air	-20 to +80°C	NBR (nitrile)



CONSTRUCTION

Base-plate	Anodised aluminium
Cover	ABS (polystyrene) UV stabilized
Core tube	Brass
Core and plugnut	Stainless steel
Spring	Stainless steel
Disc	NBR
Shading coil	Copper
Coil insulation class	F
Electrical connection	Spades according to DIN 46244



ELECTRICAL CHARACTERISTICS

Standard voltages DC (=) 24V
 AC (~) 24V - 115V - 230V/50Hz

coil type	nominal power ratings				ambient temperature range (°C)	protection	replacement coil	
	inrush ~ (VA)	holding		hot/cold = (W)			~ 230 V/50 Hz	= 24 V DC
		(VA)	(W)					
UCM22-FI (1)	20,4	14	10	22	-20 to +85	moulded IP65	400137-697	400137-642

SPECIFICATIONS

number of pilot valves	pipe size	orifice size (mm)	flow coefficient Kv		operating pressure differential (bar)		catalogue number for the boxes (2)		
					min.	maximum (PS)	without heating	1 heating element (3)	2 heating elements (3)
						air ~/=			
2	1/8	3,6	0,35	5,8	0	8,5	S G110A020	S G110A021	-
3							S G110A030	S G110A031	-
4							S G110A040	S G110A041	-
5							S G110A050	S G110A051	-
6							S G110A060	S G110A061	-
7	1/8	3,6	0,35	5,8	0	8,5	S G110A070	S G110A071	S G110A072
8							S G110A080	S G110A081	S G110A082
9							S G110A090	S G110A091	S G110A092
10							S G110A100	S G110A101	S G110A102
11							S G110A110	S G110A111	S G110A112
12							S G110A120	S G110A121	S G110A122

- (1) Intermittent duty, Relative Duty Time is 10%. Max on time is 1 min.
 (2) Minimum ambient temperature without heating elements : 0°C
 Minimum ambient temperature with 1 heating element : -40°C (2 to 6 pilots)
 : -15°C (7 to 12 pilots)
 Minimum ambient temperature with 2 heating elements : -40°C (7 to 12 pilots)
 (3) Heating element(s) 220-240 VDC / VAC 50-60 Hz standard, for other voltages see ordering information.
 Heating element(s) rating 80 watt each.

OPTIONS

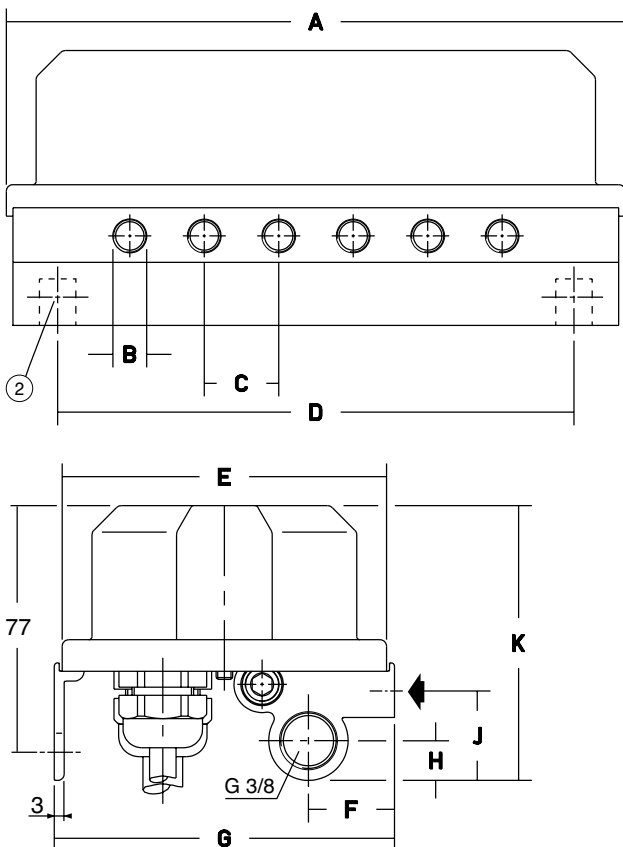
- Pilot boxes with metal cover for harsh conditions and heavy duty applications (prefix: **WP**)
- Integrated quick fittings for 6 or 8 mm tubes
- Special customer adapted executions

INSTALLATION

- The pilot boxes can be mounted in any position without affecting operation
- Pipe connections are: G 1/8 according to ISO 228 for pilot connection
G 3/8 according to ISO 228 for common exhaust
- Cable entries: control cable on box with 2-6 pilot valves : cable Ø 10 - 14 mm
control cable on box with 7 - 12 pilot valves : cable Ø 13 - 18 mm
connection cable heating element : cable Ø 5 - 10 mm
- Installation/maintenance instructions are included with each pilot box
- Spare parts kit and replacement coils are available

SPARE PARTS KITS

catalogue number	Spare parts kit no.
	~/=
SG110A020 up to 120	C127837
SG110A021 up to 121	
WPSG110A072 up to 122	

DIMENSIONS (mm), WEIGHT (kg)

ORDERING INFORMATION
(WP) S G110 A 12 0 230/50

Volts/ Hz

Optional execution

- 0 = no heating element
- 1 = 1 heating element 230V/50Hz
- 2 = 2 heating elements 230V/50Hz
- 3 = 1 heating element 24V DC
- 4 = 2 heating elements 24V DC
- 5 = 1 heating element 115V/50Hz
- 6 = 2 heating elements 115V/50Hz

Number of pilots

- 02 = 2 pilot valves
- 03 = 3 pilot valves etc. (max. 12)

Change letter
Basic number

- G110 = threaded ports
- XG110 = instant-fitting connection for 6 mm tube, +TPL 26779
- XG110 = instant-fitting connection for 8 mm tube, +TPL 26780

Electrical connection

spade terminals 6,3 x 0,8

Prefix (optional)
WP: Waterproof IP 65 metal enclosure and cover

number of pilot valves	A	B	C	D	E	F	G	H	J	K	weight (1)
2 to 6	187	G 1/8	22,5	156	98	26	103	12	27	83	1
7 to 12	322	G 1/8	22,5	266	98	26	103	12	27	83	2,2

(1) incl. coil and connector

(2) mounting: 2 holes Ø10 with pitch D