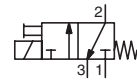




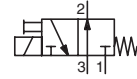
SOLENOID VALVES

direct operated
pad mounting body
M5 subbases

NC



NO



3/2
Series
109

FEATURES

- Compact size and light weight simplify assembly on single or joinable subbases
- AC/DC interchangeability of the solenoid without disassembly of the valve
- Flexible installation on joinable subbases
- Manual operator allows an easy installation
- The solenoid valves satisfy all relevant EU directives

GENERAL

Differential pressure See «SPECIFICATIONS» [1 bar = 100 kPa]
Maximum viscosity 40 cSt (mm²/s)
Response time 5 - 10 ms

fluids (*)	temperature range (TS)	seal materials (*)
air, inert gas, water, oil	-10°C to +80°C	NBR (nitrile) FPM (fluoroelastomer)

MATERIALS IN CONTACT WITH FLUID

(*) Ensure that the compatibility of the fluids in contact with the materials is verified

Body and subbases PPS
Core tube Brass
Internal parts, springs Stainless steel
Seals NBR or FPM
Subbase seals FPM
Shading coil Copper

ELECTRICAL CHARACTERISTICS

Coil insulation class F
Connector Spade plug (cable Ø 6-8 mm)
Connector specificatio DIN 43650, 11 mm, industry standard B (11 mm)
Electrical safety IEC 335
Electrical enclosure protection Moulded IP65 (EN 60529)
Standard voltages DC (=) : 24V - 48V
 (Other voltages and 60 Hz on request) AC (~) : 24V - 48V - 115V - 230V / 50 Hz

power ratings				operator ambient temperature range (TS)	replacement coil		type ⁽¹⁾
inrush	holding	hot/cold	~		=		
(VA)	(VA)	(W)	(W)		(C°)	230 V/50 Hz	
6	3,5	2,5	2,5 / 3	-10 to +60	400127-097	400904-142	01

⁽¹⁾ Refer to the dimensional drawings on the following page.

SPECIFICATIONS

pipe size	orifice size		flow coefficient Kv				operating pressure differential (bar)				power coil (W)		catalogue number with maintained manual operator		
	1→2	2→3	1→2		2→3		max. (PS)				~	=	NBR	FPM	
	(mm)	(mm)	(m ³ /h)	(l/min)	(m ³ /h)	(l/min)	min.	air (*)	water/oil(*)	air (*)					water/oil(*)
NC - Normally closed															
pad mounting	1	1,2	0,03	0,5	0,06	1	0	15	15	15	15	2,5	3	10900001	10900004
	1,5	1,2	0,06	1	0,06	1	0	8	8	8	8	2,5	3	10900040	10900043
	2,5	1,2	0,10	1,8	0,06	1	0	3	3	3	3	2,5	3	10900003	10900006
NO - Normally open															
⁽²⁾	1,5	1,2	0,03	0,5	0,04	0,6	0	8	4	8	4	2,5	3	10900017	10900029

SUBBASES ⁽³⁾

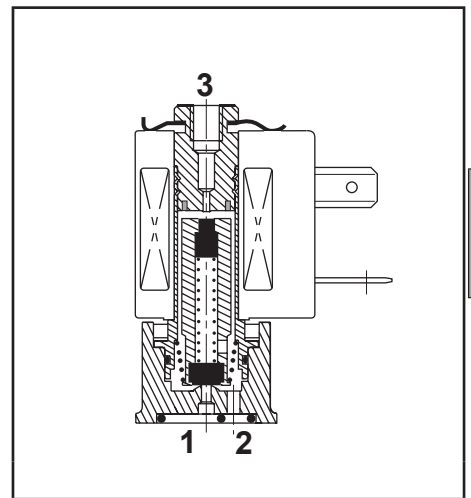
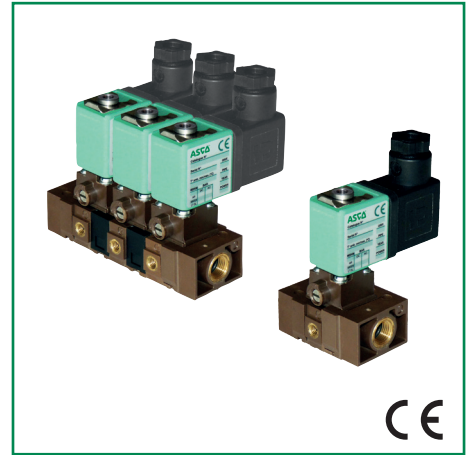
pipe size	mounting type	designation	composition	catalogue number
6/6 polyamide subbases				
M5 subbases G 1/8 ends	Individual mounting	Single subbase + two ends. Pressure to right, G 1/8		36100009
	Assembly of 2 to 10 joinable subbases ⁽⁴⁾	1 joinable subbase		36100004
		Set of 2 joinable subbases with ends. Pressure to right, G 1/8		36100005
		Set of 2 joinable subbases with ends. Pressure to right and/or left, G 1/8		36100032 ⁽⁵⁾

⁽²⁾ In NO function: pressure supply connected to the top of the solenoid valve Ø M5

⁽³⁾ These subbases can be mounted on symmetrical rail to EN 50022, AFNOR NF C 63015, using 2 clips (clips: catalogue number 33400036, pack of 10).

⁽⁴⁾ Maximum number of solenoid valves which can operate simultaneously on joinable subbases: Ø 1 mm: 10, Ø 1,5 mm: 5, Ø 2,5 mm: 3.

⁽⁵⁾ Used for two different pressures, delivered with 1 plug to be put in the right place.



E

00160GB-2016/R01 Availability, design and specifications are subject to change without notice. All rights reserved.

V590-1

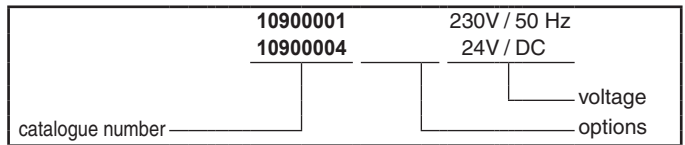
OPTIONS

- Explosionproof enclosures for use in zones 1/21-2/22, categories 2-3 to ATEX Directive 2014/34/EU (see "Explosionproof solenoids" section)
- Compliance with "UL", "CSA" standards are available
- Oxygen service, used option catalogue number: **970517**
- Exhaust port regulator M5 adaptable on port 3, catalogue number: **34600380**
- Plug with visual indication and peak voltage suppression or with cable length of 2 m (see Solenoids, Coils & Accessories section)

INSTALLATION

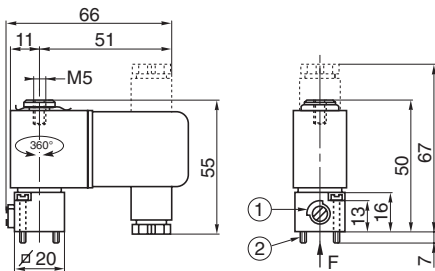
- The solenoid valves can be mounted in any position without affecting operation
- Mounting on single or joinable subbases
- ATEX 94/9/EC versions can be installed on single subbases (all versions) or joinable zamak subbases (option "PV")
- Pipe connections 1/8 have standard thread according to ISO 228/1
- Installation/maintenance instructions are included with each valve

ORDERING EXAMPLES:

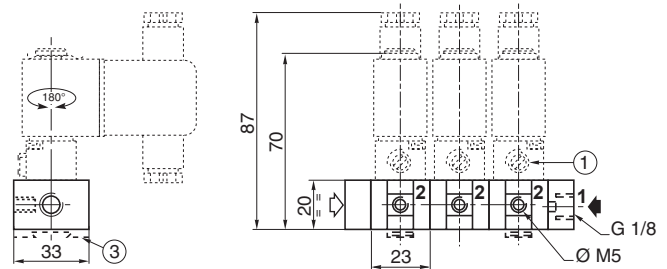


DIMENSIONS (mm), WEIGHT (kg)

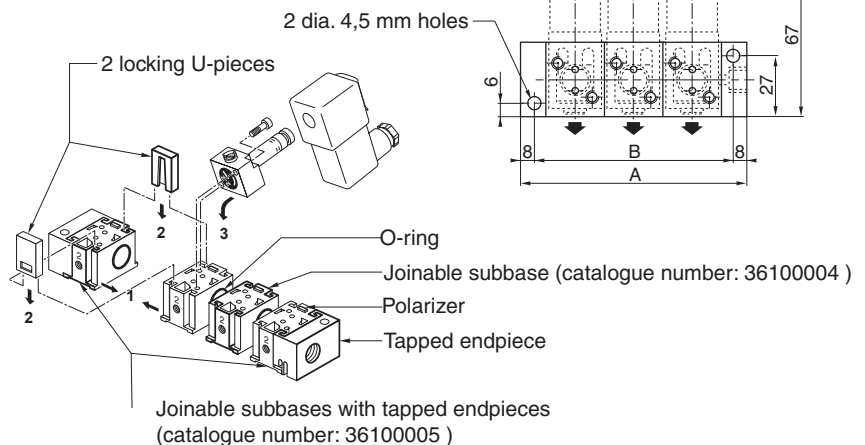
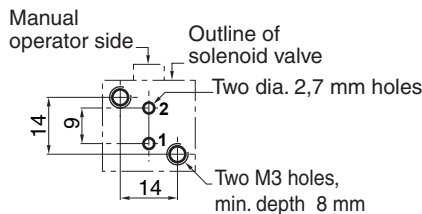
TYPE 01
Prefix "SC" Solenoid
Epoxy moulded
IEC 335 / DIN 43650 / IP65
weight : 0,100
10900001/03/04/06/17/29/40/43



JOINABLE SUBBASE G 1/8
PPS
36100005/36100032



- ① Manual operator location
- ② 2 M3 x 20 screws
- ③ Clips



number of subbases	A	B	weight ⁽¹⁾
2	72	56	0,300
3	95	79	0,420
4	118	102	0,540
5	141	125	0,660
6	164	148	0,780
+1	+23	+23	+0,120

⁽¹⁾ including coils, connectors and joinable endpieces.

All leaflets are available on: www.asco.com

V590-2