

FEATURES

- Special materials and handling procedures are used in the high vacuum valves to avoid molecular contamination
- The medium and high vacuum valves are mass spectrometer tested
- Brass bodied solenoid valves designed to provide maximum flow
- Direct lift solenoid valves have a resilient soft seating for absolute tight shut-off on low pressures
- The solenoid valves do not require a minimum operating pressure
- The solenoid valves satisfy all relevant EU Directives

GENERAL

Differential pressure 1 bar absolute [1 bar = 100 kPa]
Response time 5 - 40 ms

| fluids (*) | temperature range (TS) | seal materials (*) |
|----------------|------------------------|--|
| air, inert gas | - 20°C to + 90°C | NBR (nitrile) FPM (fluoroelastomer) |



MATERIALS IN CONTACT WITH FLUID

(*) Ensure that the compatibility of the fluids in contact with the materials is verified

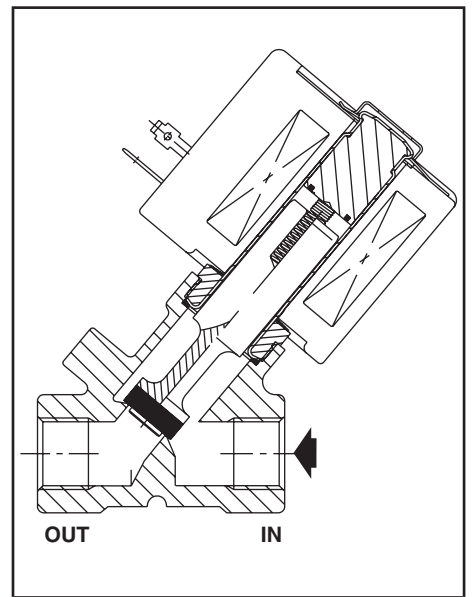
| | |
|------------------|-----------------|
| Body | Brass |
| Core tube | Stainless steel |
| Core and plugnut | Stainless steel |
| Spring | Stainless steel |
| Seat | Brass |
| Seal | NBR or FPM |
| Discs | NBR or FPM |
| Shading coil | Copper |

ELECTRICAL CHARACTERISTICS

Coil insulation class F
Connector Spade plug (cable Ø 6-10 mm)
Connector specification ISO 4400 / EN 175301-803, form A
Electrical safety IEC 335
Electrical enclosure protection Moulded IP65 (EN 60529)
Standard voltages DC (=) : -
(Other voltages and 60 Hz on request) AC (~) : 24V - 48V - 115V - 230V / 50 Hz

| prefix option | power ratings | | | operator ambient temperature range (TS) (C°) | replacement coil | | type ⁽¹⁾ |
|---------------|---------------|-----------|------------|--|------------------|---|---------------------|
| | inrush ~ | holding ~ | hot/cold = | | ~ | = | |
| | (VA) | (VA) (W) | (W) | | 230 V/50 Hz | - | |
| SC | 55 | 23 10,5 | - | -20 to + 75 | 400425-117 | - | 01 |
| | 110 | 33,6 15,4 | - | -20 to + 75 | 400525-117 | - | 02 |

⁽¹⁾ Refer to the dimensional drawings on the following page.



SPECIFICATIONS

| pipe size | orifice size | flow coefficient Kv | | minimum absolute vacuum pressure (PS) | power coil (W) | catalogue number | options | | |
|---|--------------|---------------------|---------|---|----------------|------------------|------------|---------------|---|
| | | (m³/h) | (l/min) | | | | maintained | man. operator | |
| Rp | (mm) | (m³/h) | (l/min) | mbar (Torr) | ~ | ~ | | | |
| NC - Normally closed, low vacuum range to 25 Torr, NBR seals | | | | | | | | | |
| 3/8 | 9 | 1,5 | 25 | 33,3 (25) | 10,5 - | SCE030B013 | - | - | - |
| 1/2 | 11 | 2,4 | 40 | 33,3 (25) | 15,4 - | SCE030A017 | - | - | - |
| NC - Normally closed, medium vacuum range to 10⁻³ Torr, NBR seals | | | | | | | | | |
| 3/8 | 9 | 1,5 | 25 | 1,33.10 ⁻³ (10 ⁻³) | 10,5 - | SCE030B013VM | - | - | - |
| 1/2 | 11 | 2,4 | 40 | 1,33.10 ⁻³ (10 ⁻³) | 15,4 - | SCE030A017VM | - | - | - |
| NC - Normally closed, high vacuum range to 10⁻⁶ Torr, FPM seals | | | | | | | | | |
| 3/8 | 9 | 1,5 | 25 | 1,33.10 ⁻⁶ (10 ⁻⁶) | 10,5 - | SCE030B013VH | - | - | - |
| 1/2 | 11 | 2,4 | 40 | 1,33.10 ⁻⁶ (10 ⁻⁶) | 15,4 - | SCE030A017VH | - | - | - |

OPTIONS

- Waterproof enclosure with embedded screw terminal coil according to protection class IP67, CEE-10
- Explosionproof enclosures for use in zones 1/21-2/22, categories 2-3 to ATEX Directive 2014/34/EU (www.asco.com)
- Electrical enclosures according to "NEMA" standards are available
- Compliance with "UL", "CSA" and other local approvals available on request
- Mounting brackets, suffix MB
- Other pipe connections are available on request
- Connector with visual indication and peak voltage suppression or with cable length of 2 m (www.asco.com)

INSTALLATION

- The solenoid valves can be mounted in any position without affecting operation
- Pipe connection identifier is E = Rp (ISO 7/1)
- Installation/maintenance instructions are included with each valve

SPARE PARTS KITS & ACCESSORIES

| catalogue number | spare parts kit no. | | mounting bracket no. |
|------------------|---------------------|---|----------------------|
| | ~ | = | |
| SCE030B013 | C302788 | - | 093200-001 |
| SCE030A017 | C302790 | - | 093200-001 |

⁽¹⁾ Standard prefixes/suffixes are also applicable to kits.

ORDERING EXAMPLES:

| | | | | | |
|----|---|-----|---|-----|-----------------|
| SC | E | 030 | B | 013 | 230V / 50 Hz |
| SC | E | 030 | B | 013 | MO 115V / 50 Hz |
| SC | E | 030 | A | 017 | VM 24V / 50 Hz |
| SC | E | 030 | A | 017 | VH 230V / 50 Hz |

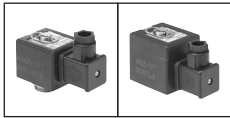
Diagram labels: prefix, pipe thread, basic number, voltage, suffix

ORDERING EXAMPLES KITS:

| | |
|------------------------|----|
| C302788 ⁽¹⁾ | VM |
| C302788 | VH |

Diagram labels: basic number, suffix

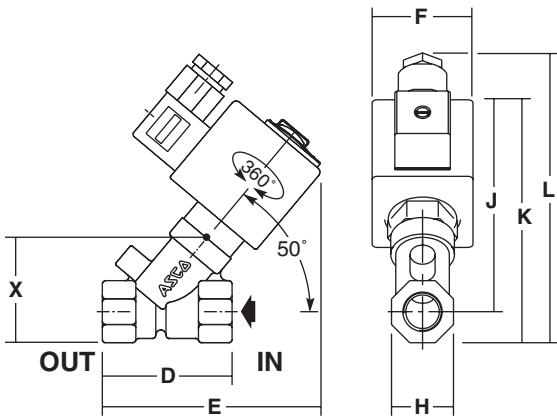
DIMENSIONS (mm), WEIGHT (kg)



TYPE 01-02
Prefix "SC" Solenoid
Epoxy moulded
IEC 335 / ISO 4400
IP65

Type 01: SCE030B013/B013VM/B013VH

Type 02: SCE030A017/A017VM/A017VH



| type | prefix option | A | B | C | D | E | F | H | J | K | L | X | weight ⁽²⁾ |
|------|---------------|---|---|---|----|----|----|----|----|-----|-----|----|-----------------------|
| 01 | SC | - | - | - | 48 | 80 | 45 | 22 | 84 | 95 | 126 | 36 | 0,5 |
| 02 | SC | - | - | - | 58 | 98 | 50 | 28 | 94 | 108 | 128 | 42 | 0,9 |

⁽²⁾ including coil and connector.